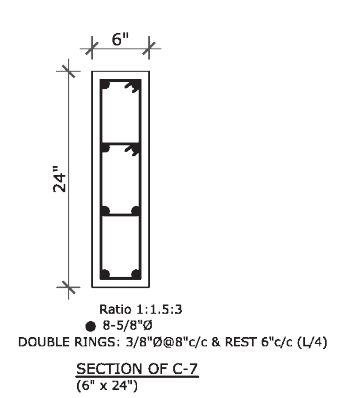
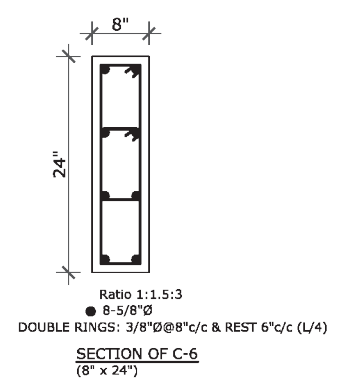
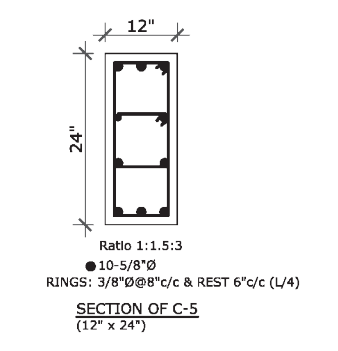
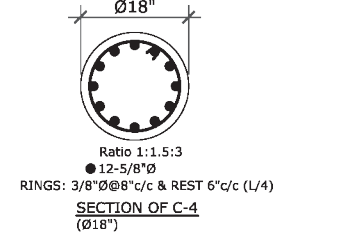
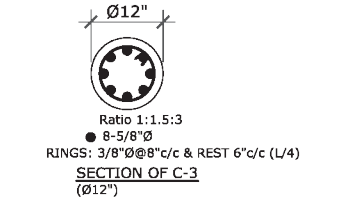
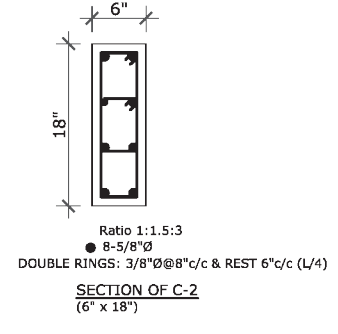
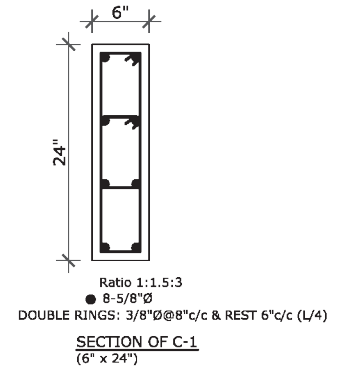
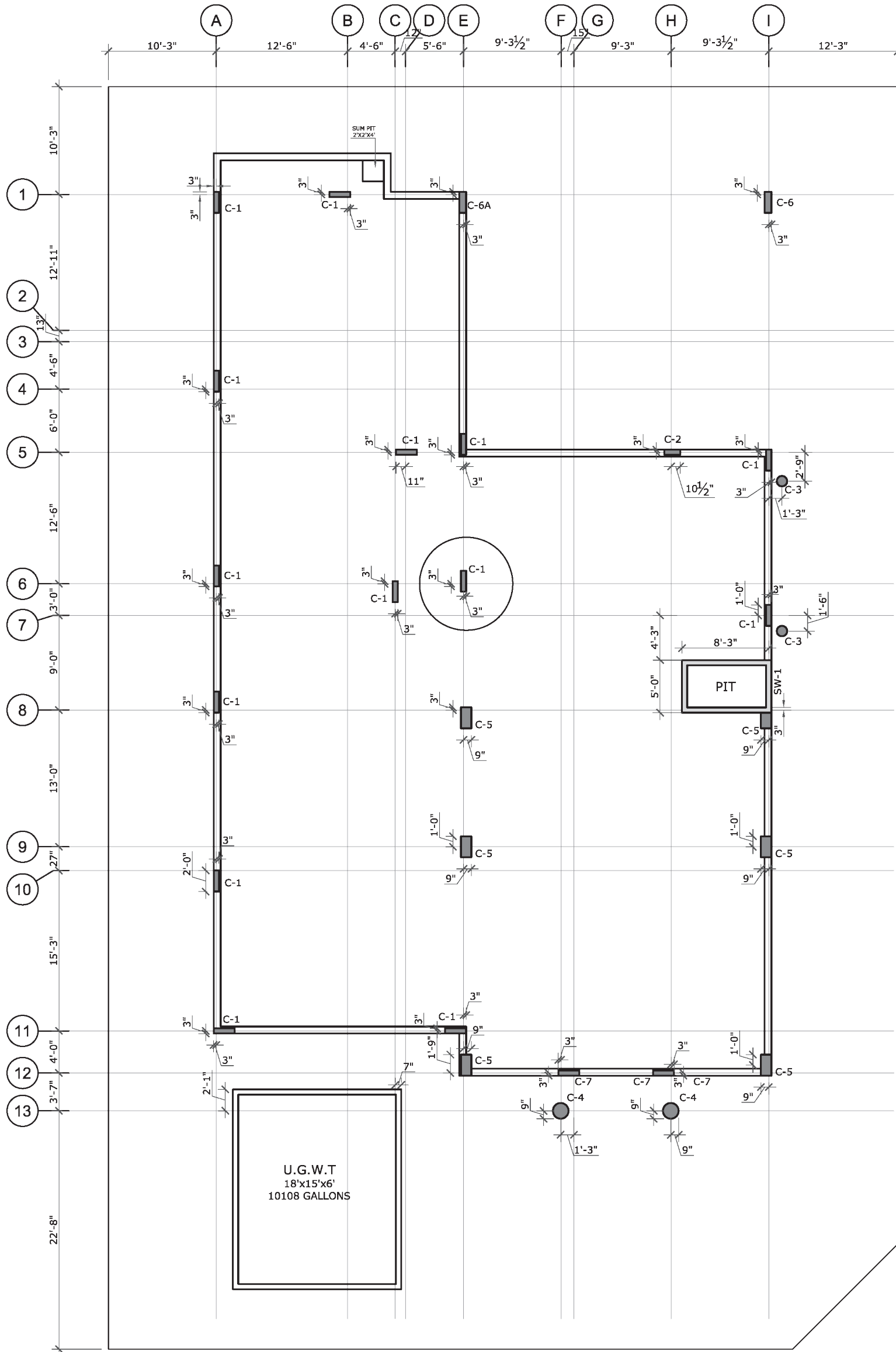
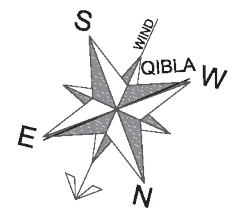
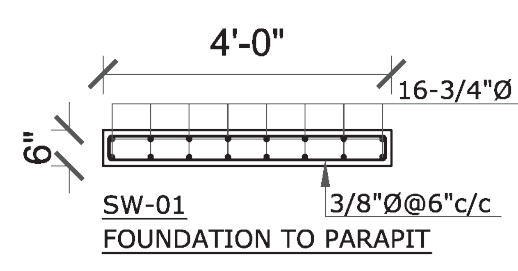


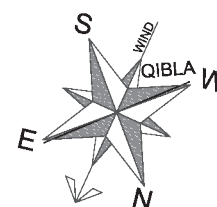
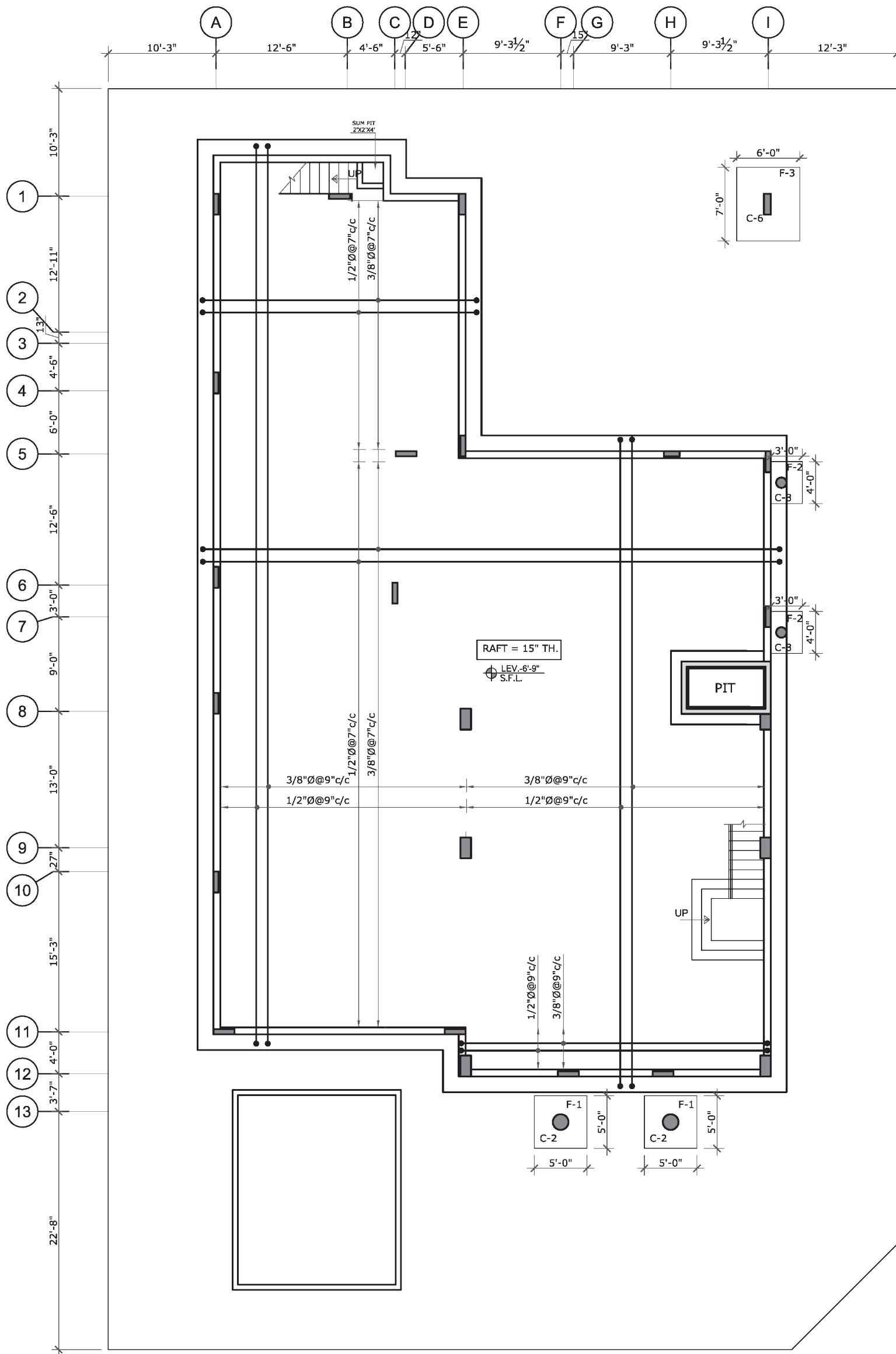
INDEX SHEET

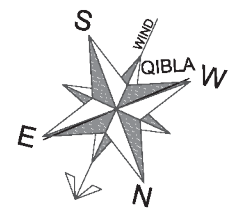
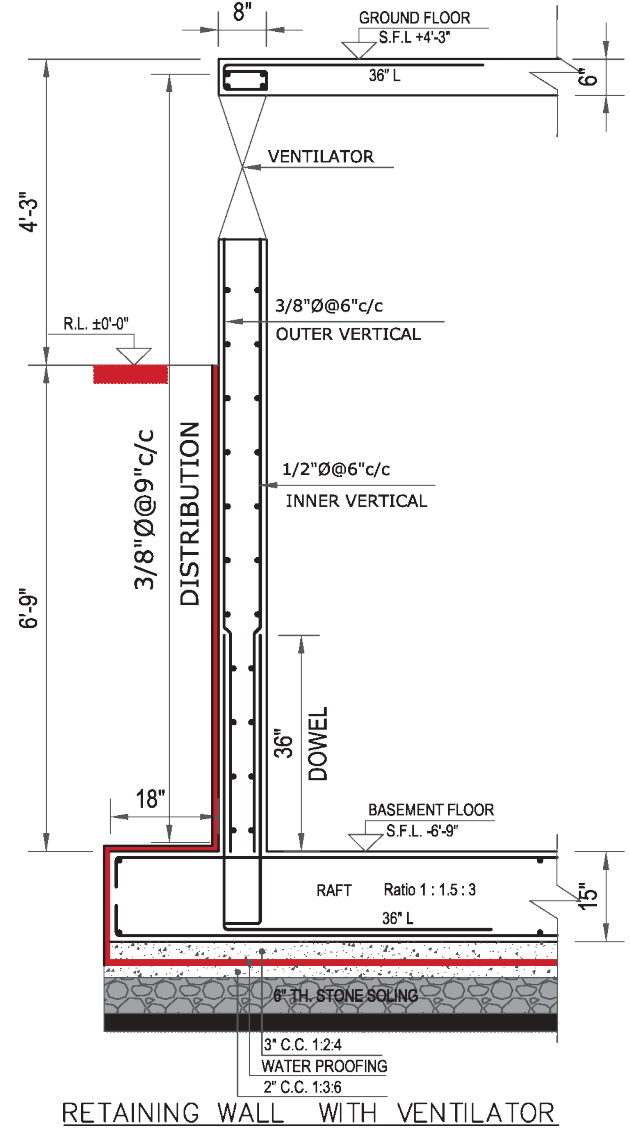
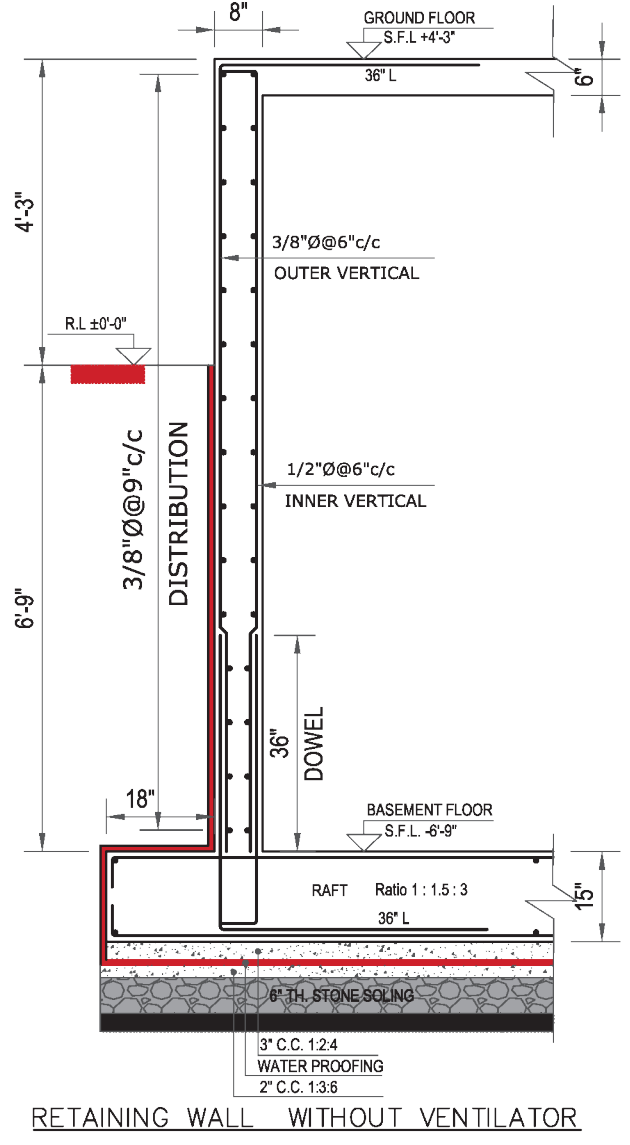
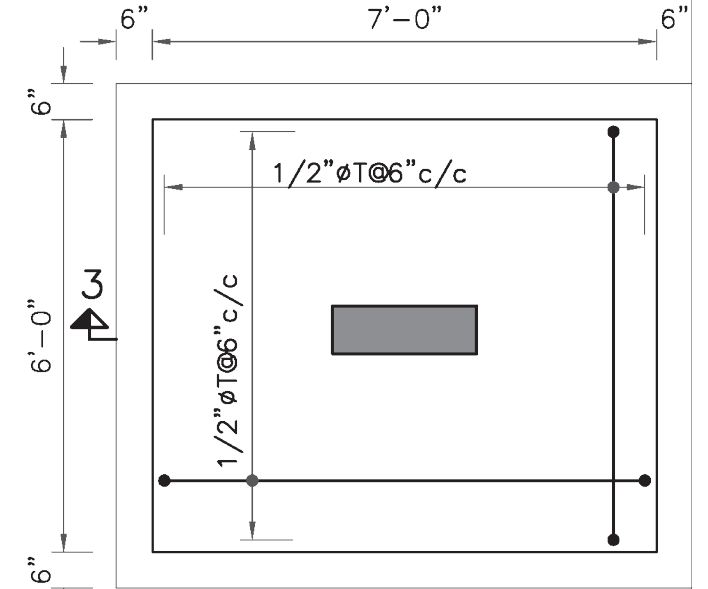
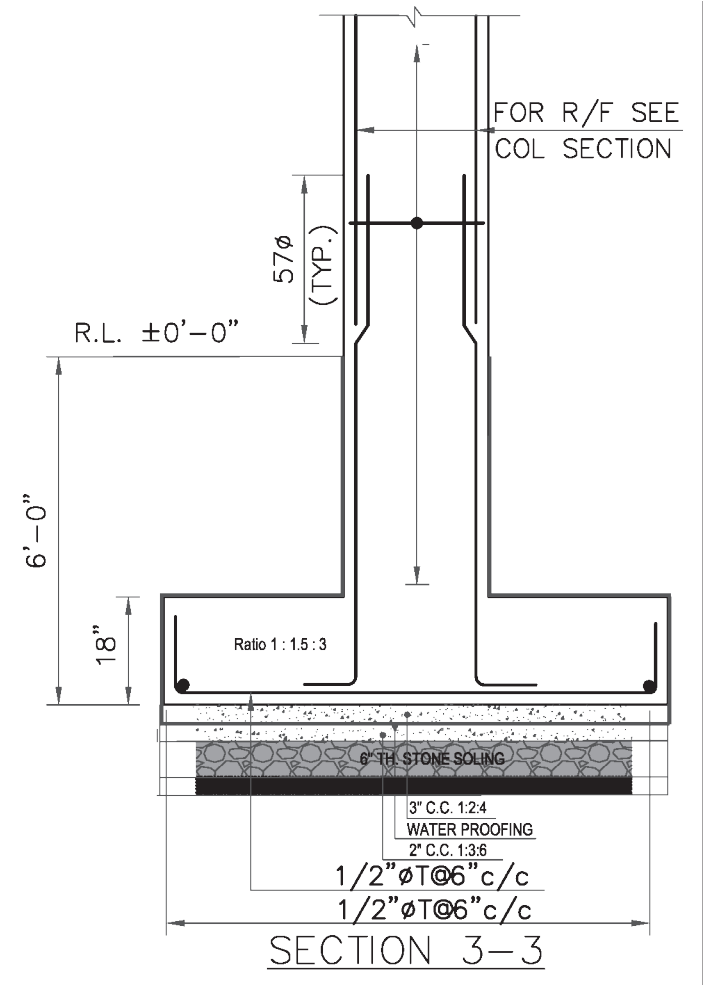
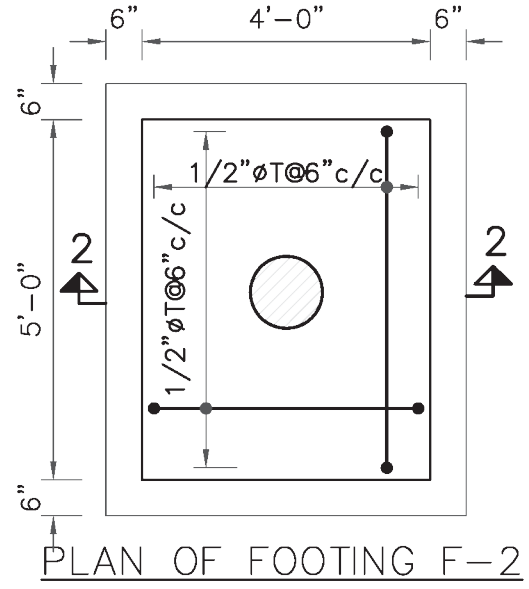
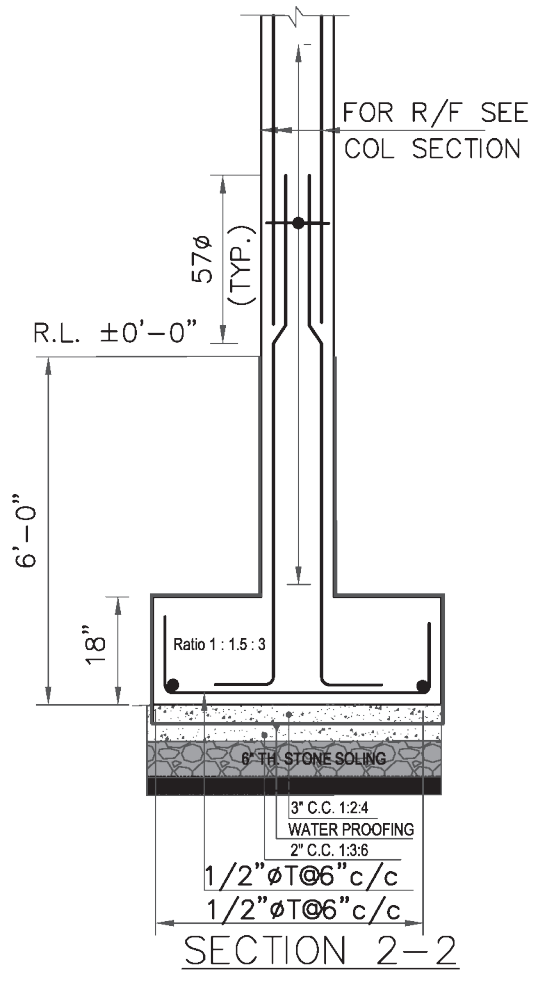
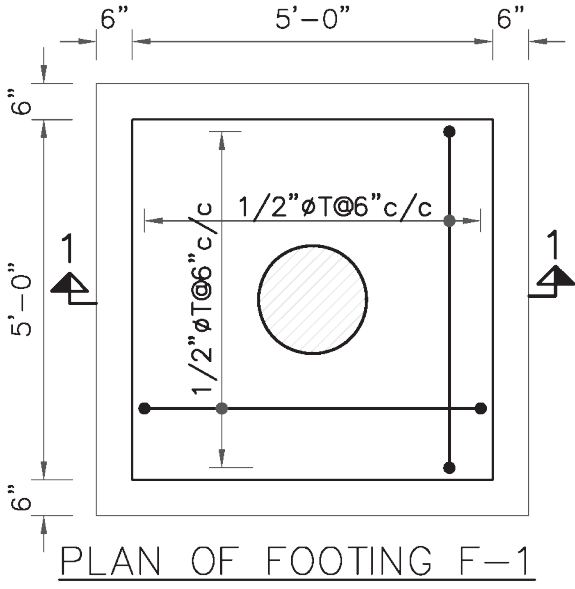
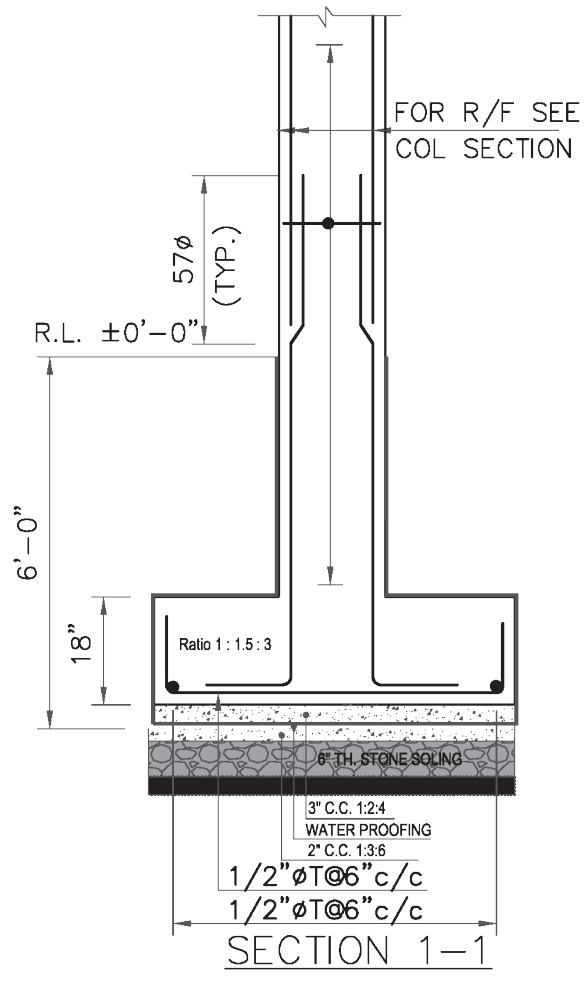
STRUCTURE DRAWINGS			
S. NO	DESCRIPTION	SHEET NO.	STATUS
1	COLUMN LAYOUT PLAN	ST-001	COMPLETED
2	FOUNDATION LAYOUT PLAN	ST-002	COMPLETED
3	RETAINING WALL & FOOTING SECTION	ST-003	COMPLETED
4	SWIMMING POOL PLAN & SECTION DETAILS	ST-004	COMPLETED
5	U.G.W.TANK PLAN & SECTION DETAILS	ST-005	COMPLETED
6	SUM PIT & LIFT PIT DETAIL	ST-006	COMPLETED
7	STAIR CASE PLAN & SECTION	ST-007	COMPLETED
8	GROUND FLOOR FRAMING PLAN	ST-008	COMPLETED
8A	GROUND FLOOR STEEL PLAN	ST-08A	COMPLETED
8B	GROUND FLOOR BEAM ELEVATION	ST-08B	COMPLETED
9	1st FLOOR FRAMING PLAN	ST-009	COMPLETED
9A	1st FLOOR STEEL PLAN	ST-09A	COMPLETED
9B	1st FLOOR BEAM ELEVATION	ST-09B	COMPLETED
10	ROOF FRAMING PLAN	ST-10	COMPLETED
10A	ROOF STEEL PLAN	ST-10A	COMPLETED
10B	ROOF BEAM ELEVATION	ST-10B	COMPLETED
11	TOP ROOF FRAMING PLAN	ST-11	COMPLETED
11A	TOP ROOF STEEL PLAN	ST-11A	COMPLETED
11B	TOP ROOF BEAM ELEVATION	ST-11B	COMPLETED
11C	TOP ROOF FRAMING PLAN & STEEL BLOW UP	ST-11C	COMPLETED
12	BOUNDRY WALL LAYOUT PLAN	ST-12	COMPLETED
12A	(REAR,LEFT & RIGHT SIDE) BOUNDARY WAL DETAIL	ST-12A	COMPLETED
13	1ST TO ROOF STAIR CASE DETAIL	ST-13	PENDING
14	DOME DETAIL	ST-14	PENDING
15	COLUMN SECTION	ST-15	COMPLETED

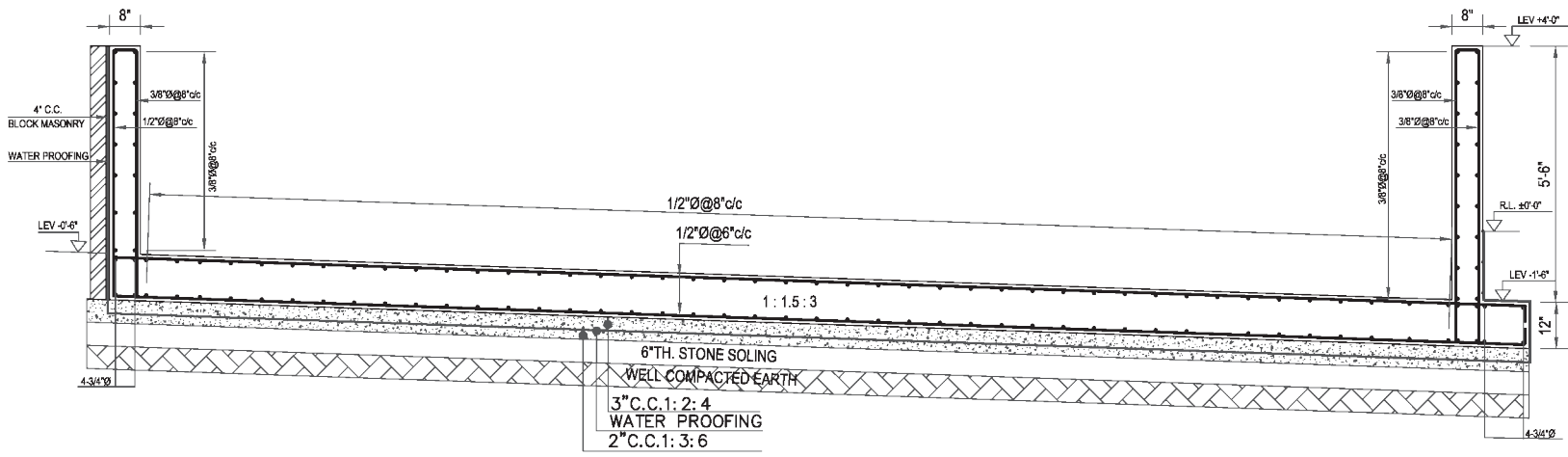


SCHEDULE OF COLUMN			
TYPE	SIZES	STEEL	RINGS
C-1	6" x 24"	8-5/8"Ø	3/8"Ø@8"c/c & REST 6"c/c (L/4)
C-2	6" x 18"	8-5/8"Ø	3/8"Ø@8"c/c & REST 6"c/c (L/4)
C-3	Ø12"	8-5/8"Ø	3/8"Ø@8"c/c & REST 6"c/c (L/4)
C-4	Ø18"	12-5/8"Ø	3/8"Ø@8"c/c & REST 6"c/c (L/4)
C-5	12" x 24"	8-5/8"Ø	3/8"Ø@8"c/c & REST 6"c/c (L/4)
C-6	8" x 24"	8-5/8"Ø	3/8"Ø@8"c/c & REST 6"c/c (L/4)
C-7	6" x 24"	8-5/8"Ø	3/8"Ø@8"c/c & REST 6"c/c (L/4)



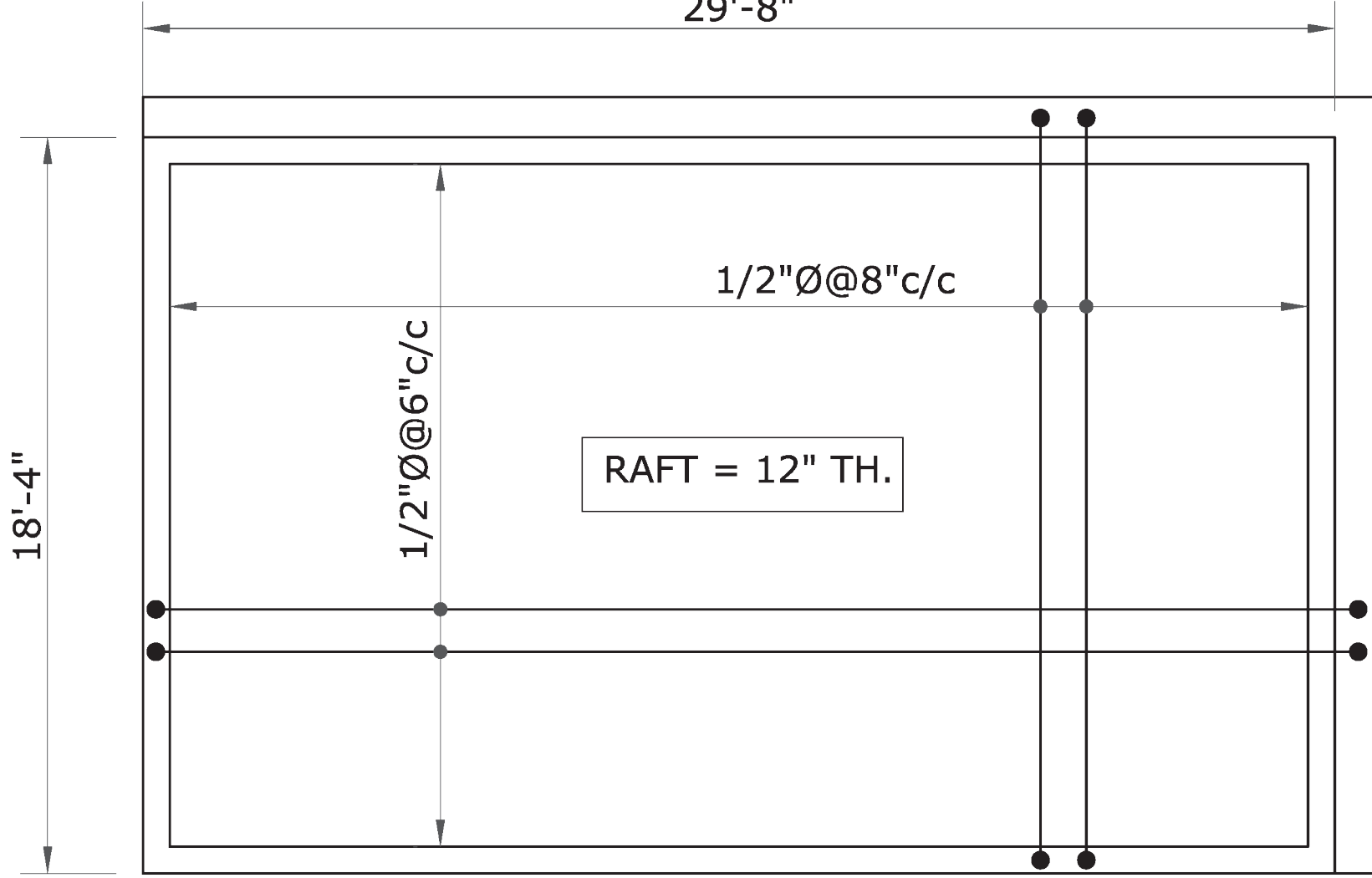






SECTION OF POOL

29'-8"



18'-4"

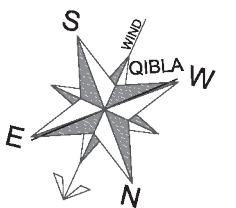
1/2"Ø@8"c/c

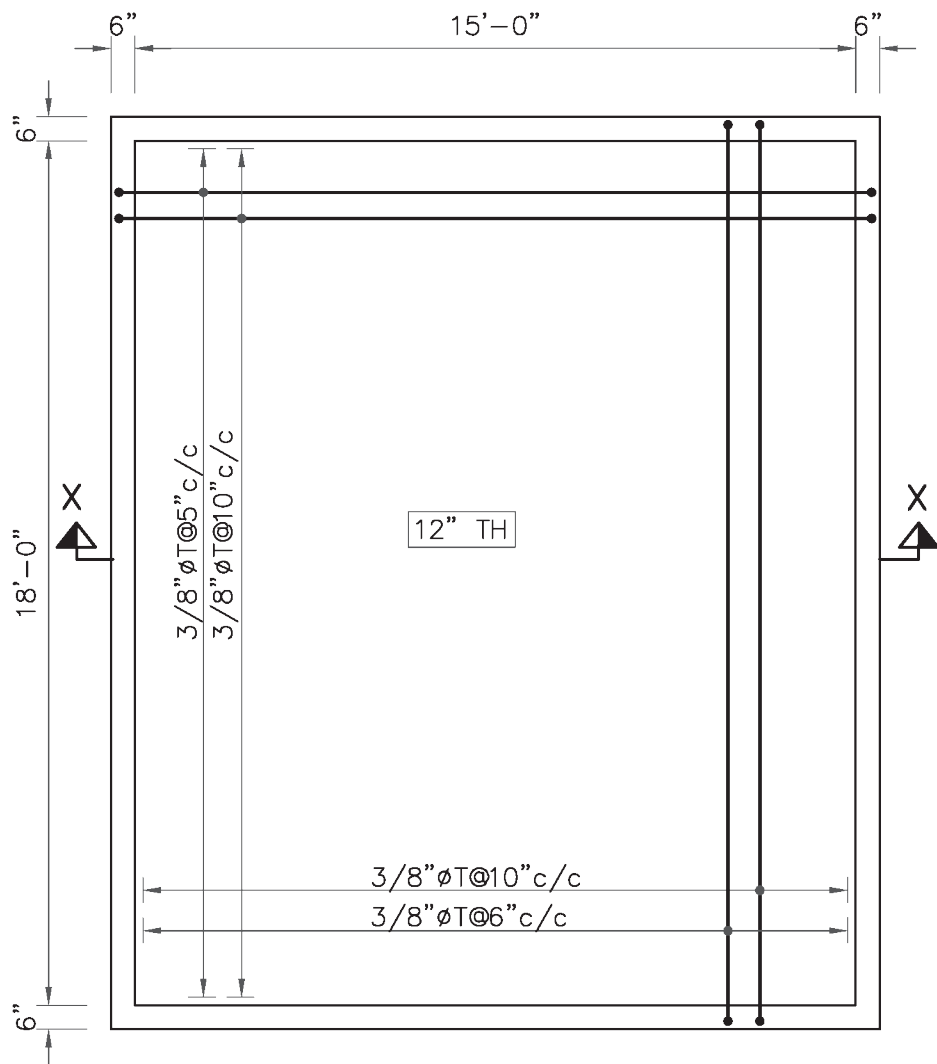
1/2"Ø@6"c/c

RAFT = 12" TH.

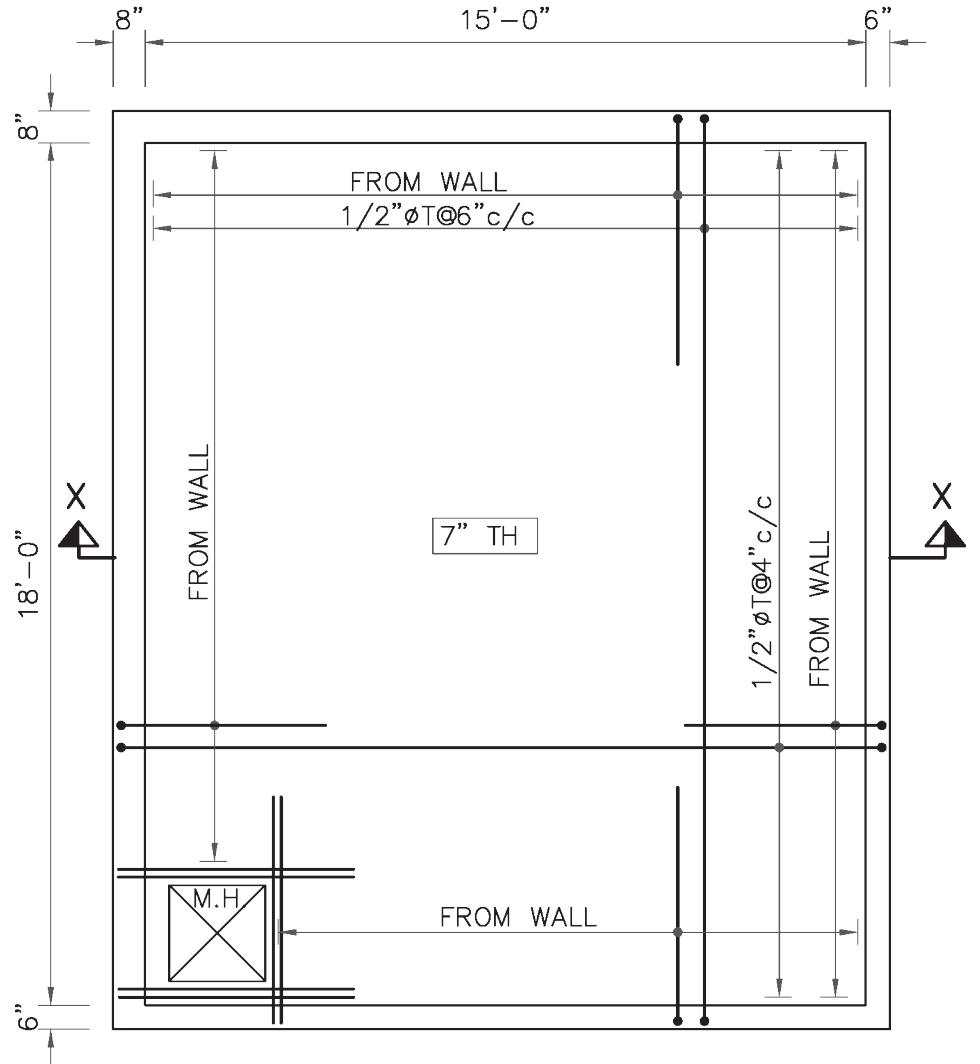
PLAN OF POOL

Lev.+4'-0"
F.F.L.

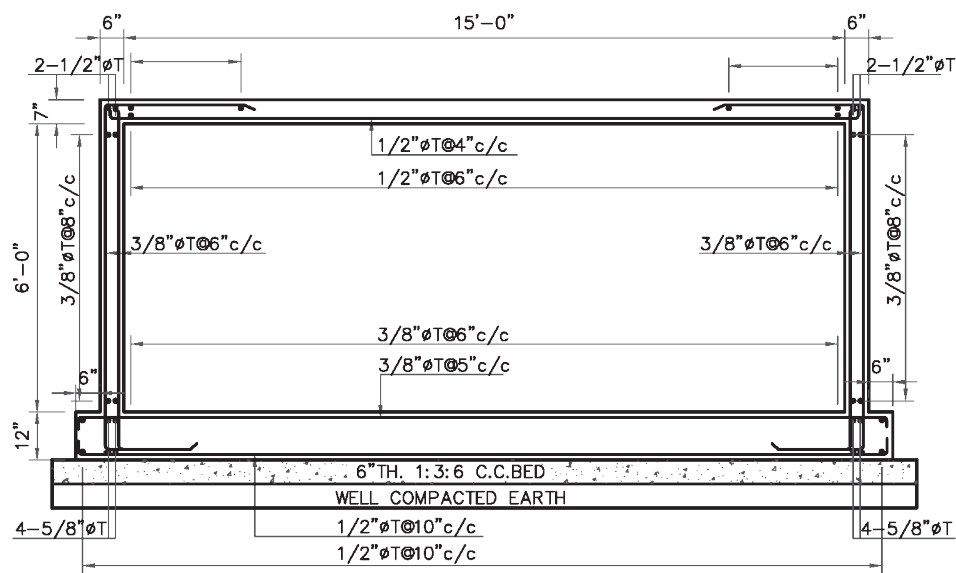




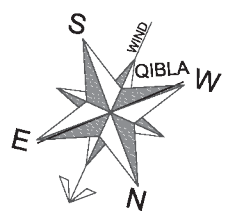
BOTTOM SLAB PLAN OF U.G.W. TANK

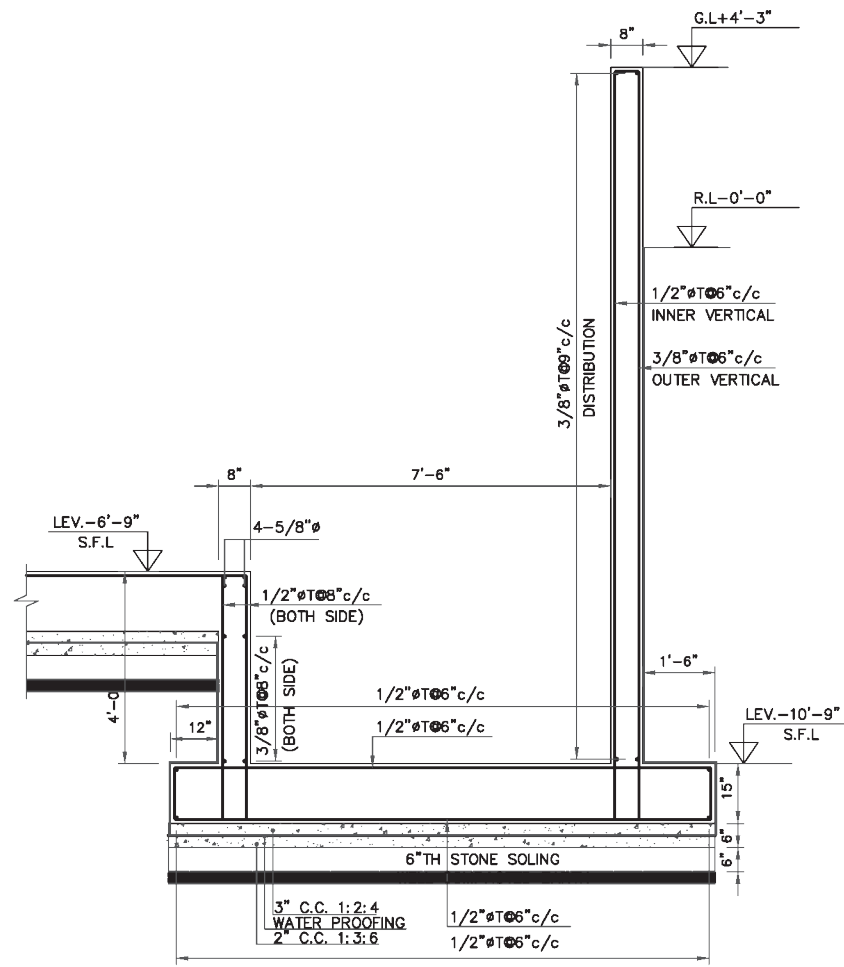


TOP SLAB PLAN OF U.G.W. TANK

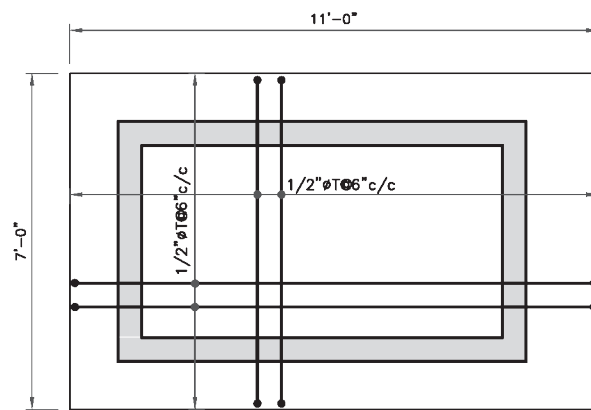


SECTION X-X

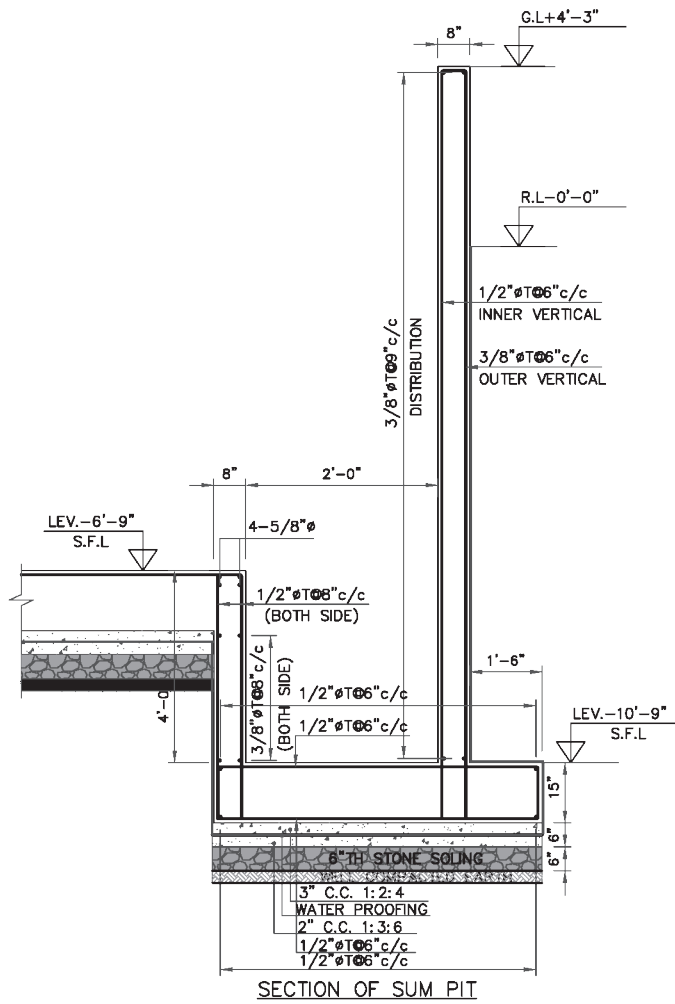




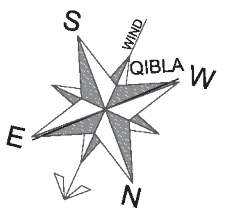
SECTION OF LIFT PIT

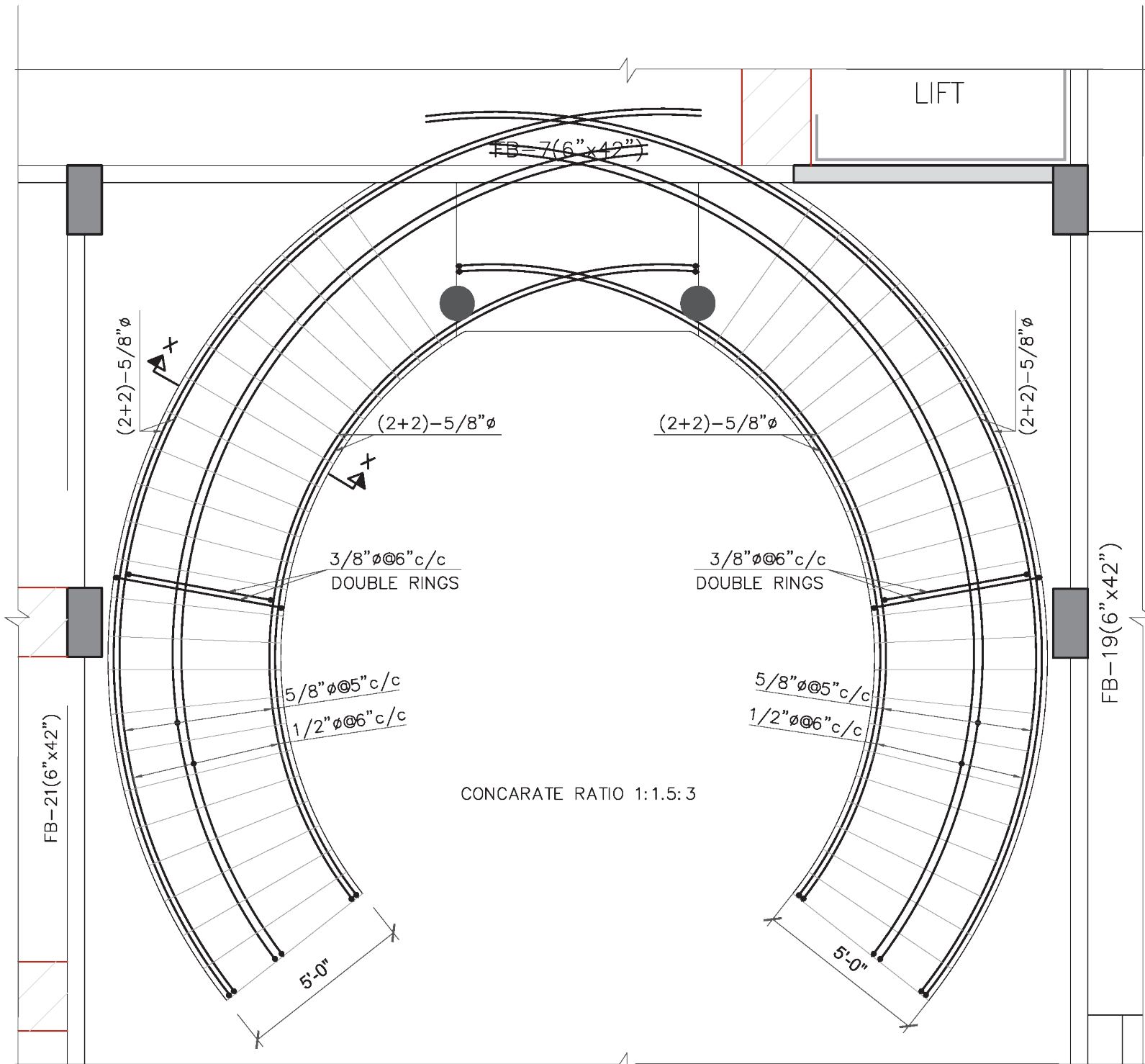


LIFT PIT PLAN

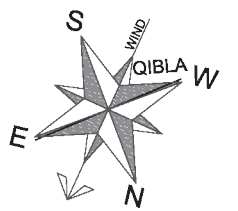
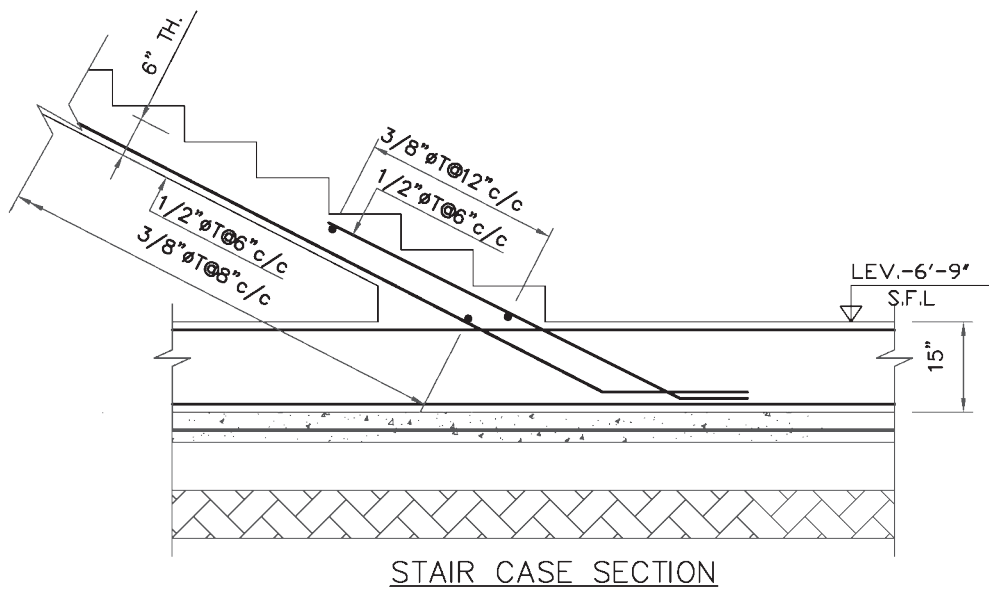
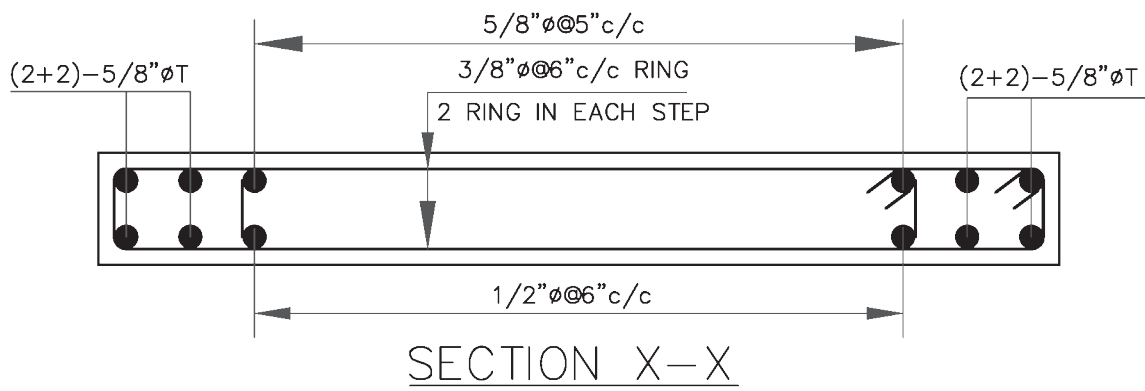


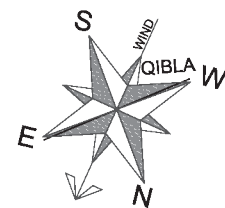
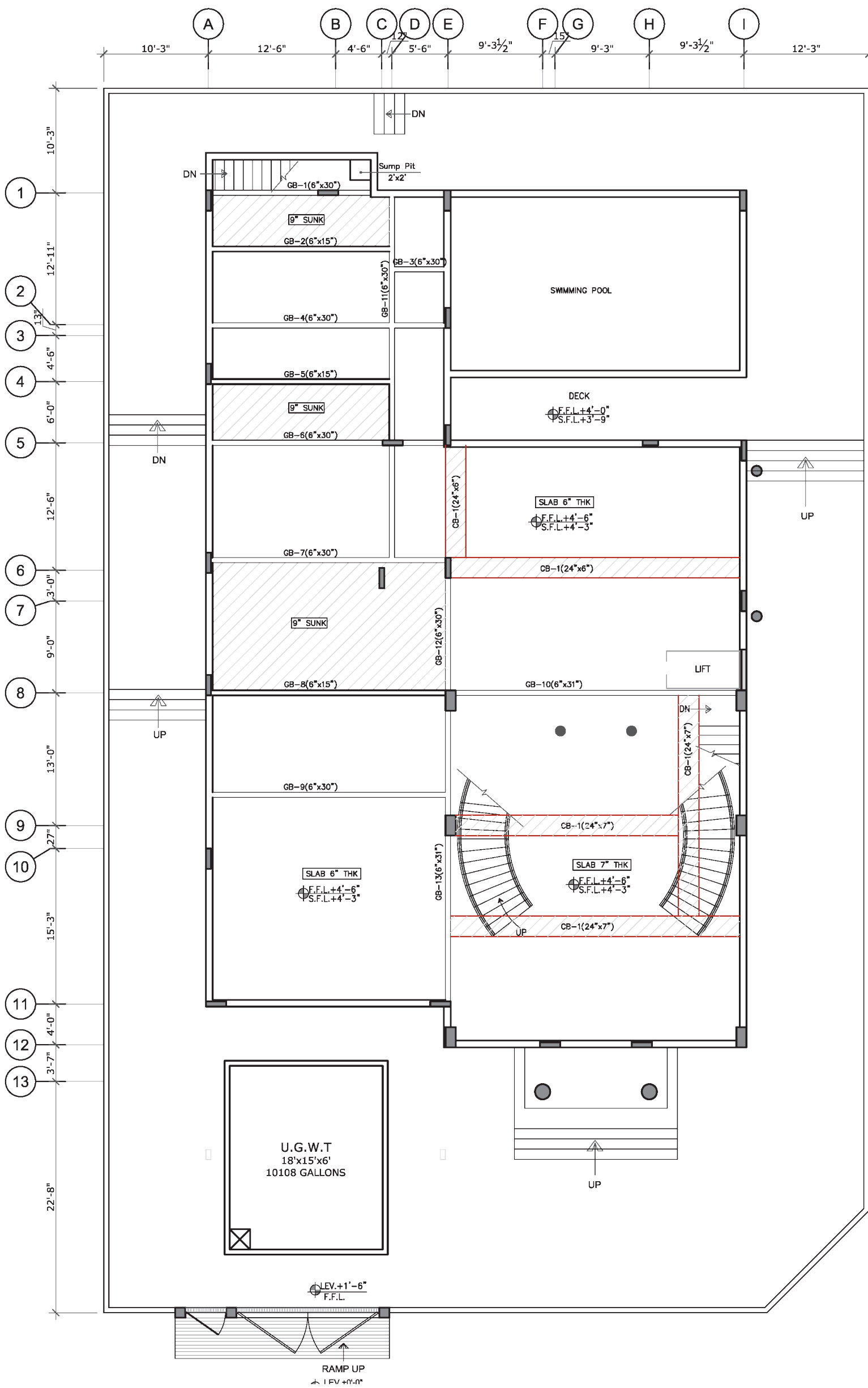
SECTION OF SUM PIT

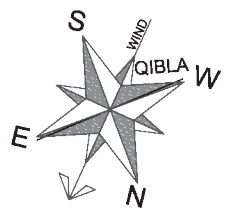
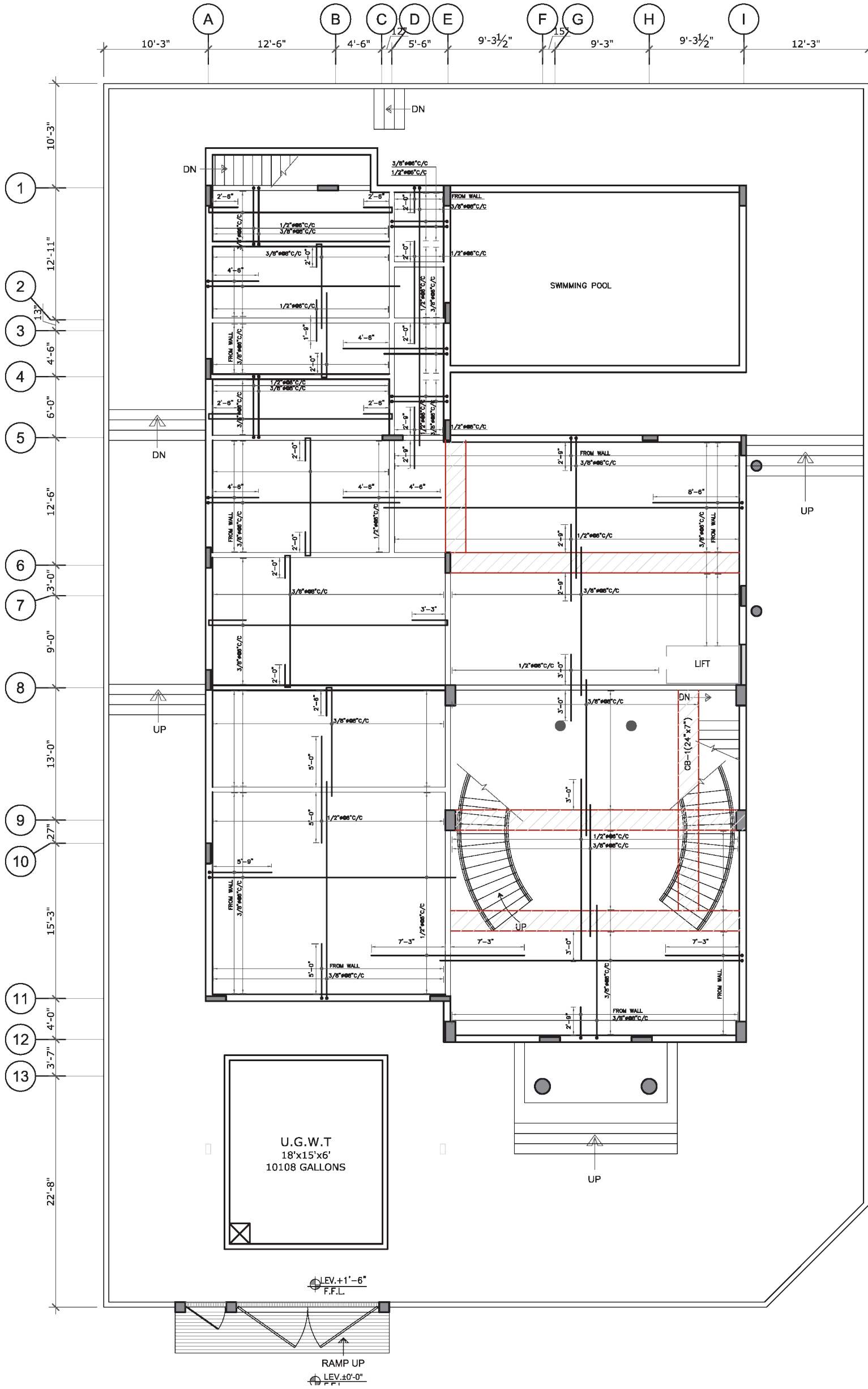


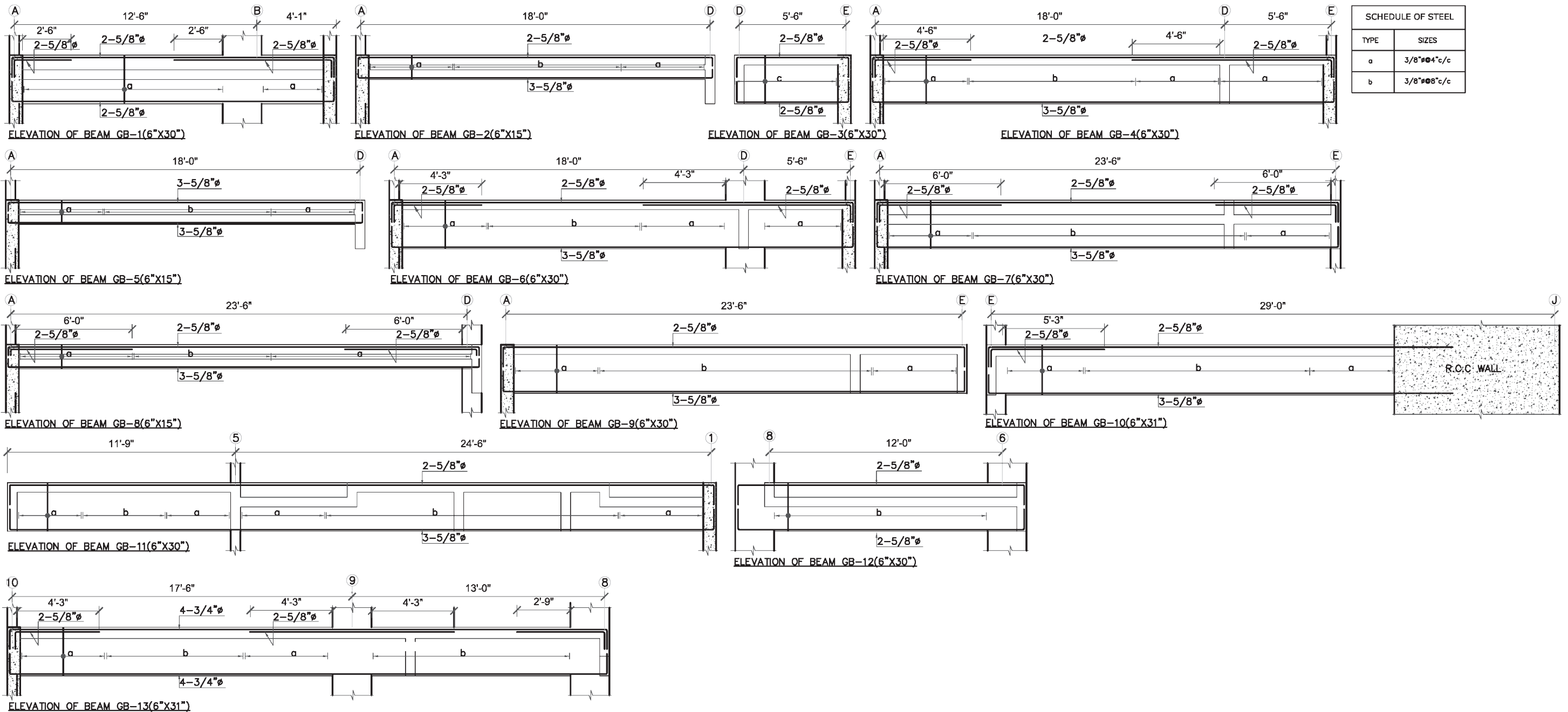


STAIR CASE PLAN
(G.F TO 1ST F.)

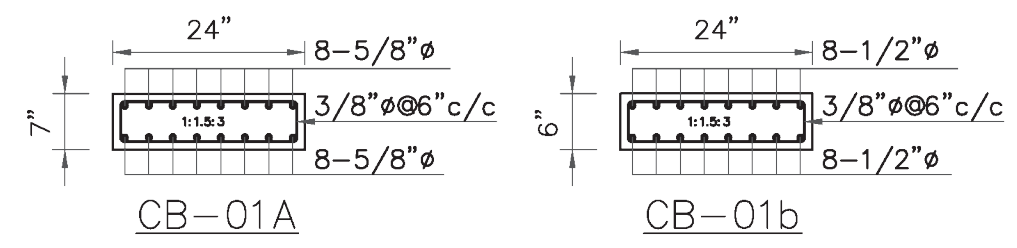


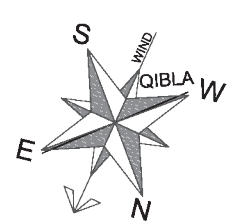
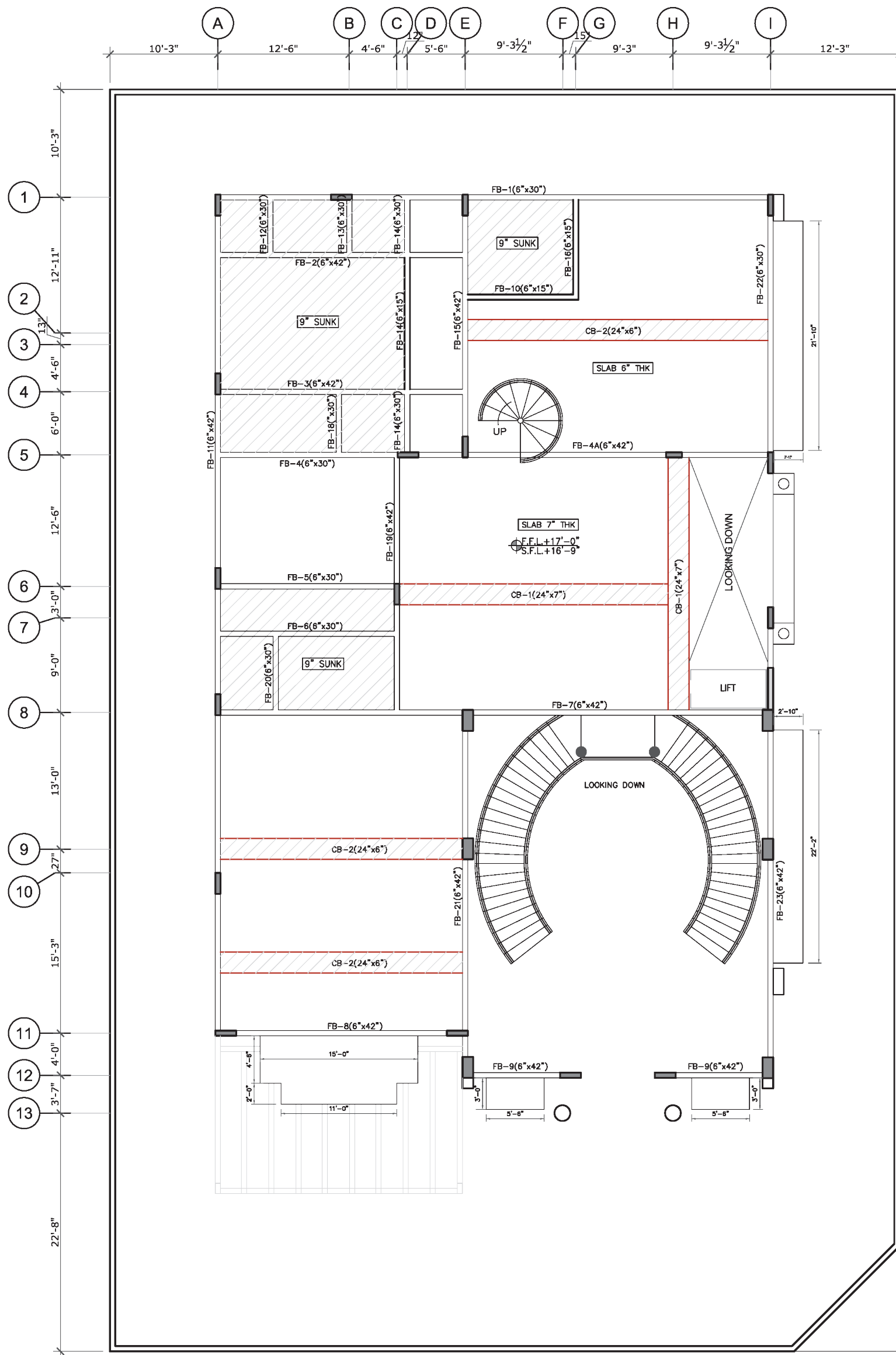


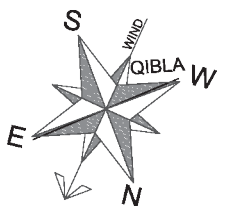
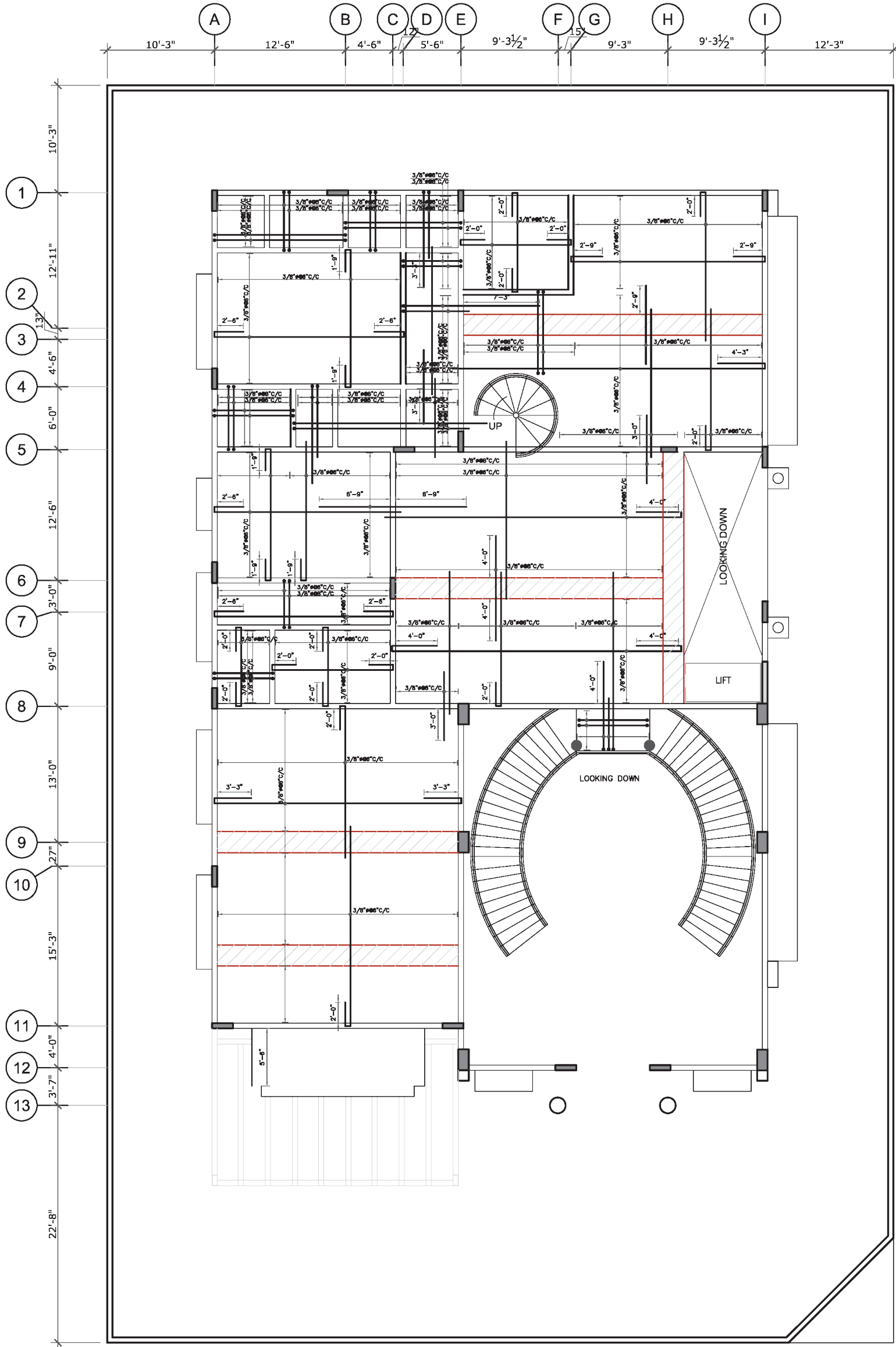


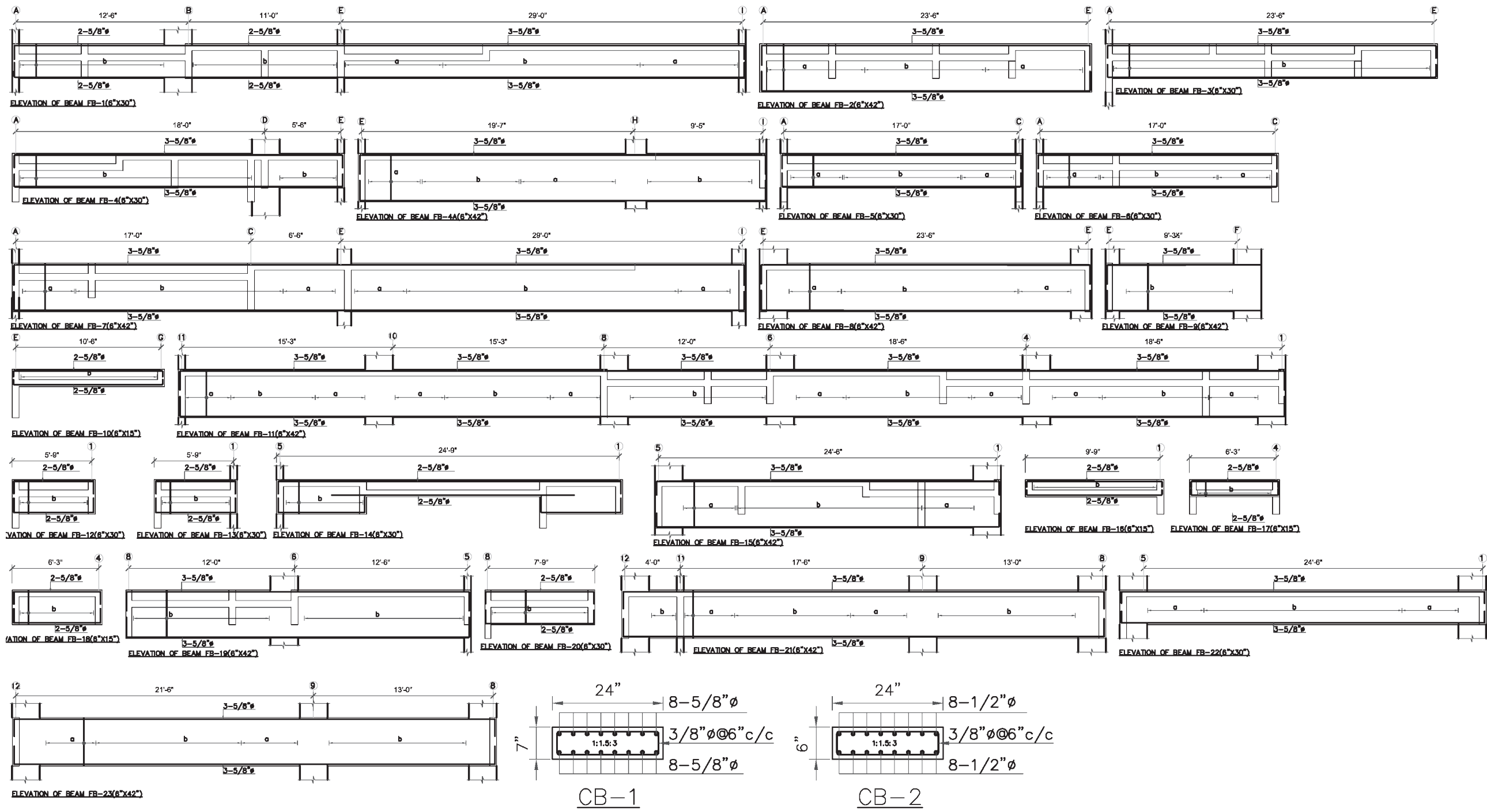


SCHEDULE OF STEEL	
TYPE	SIZES
a	3/8"φ@6" c/c
b	3/8"φ@8" c/c

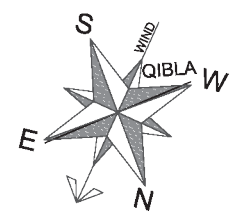
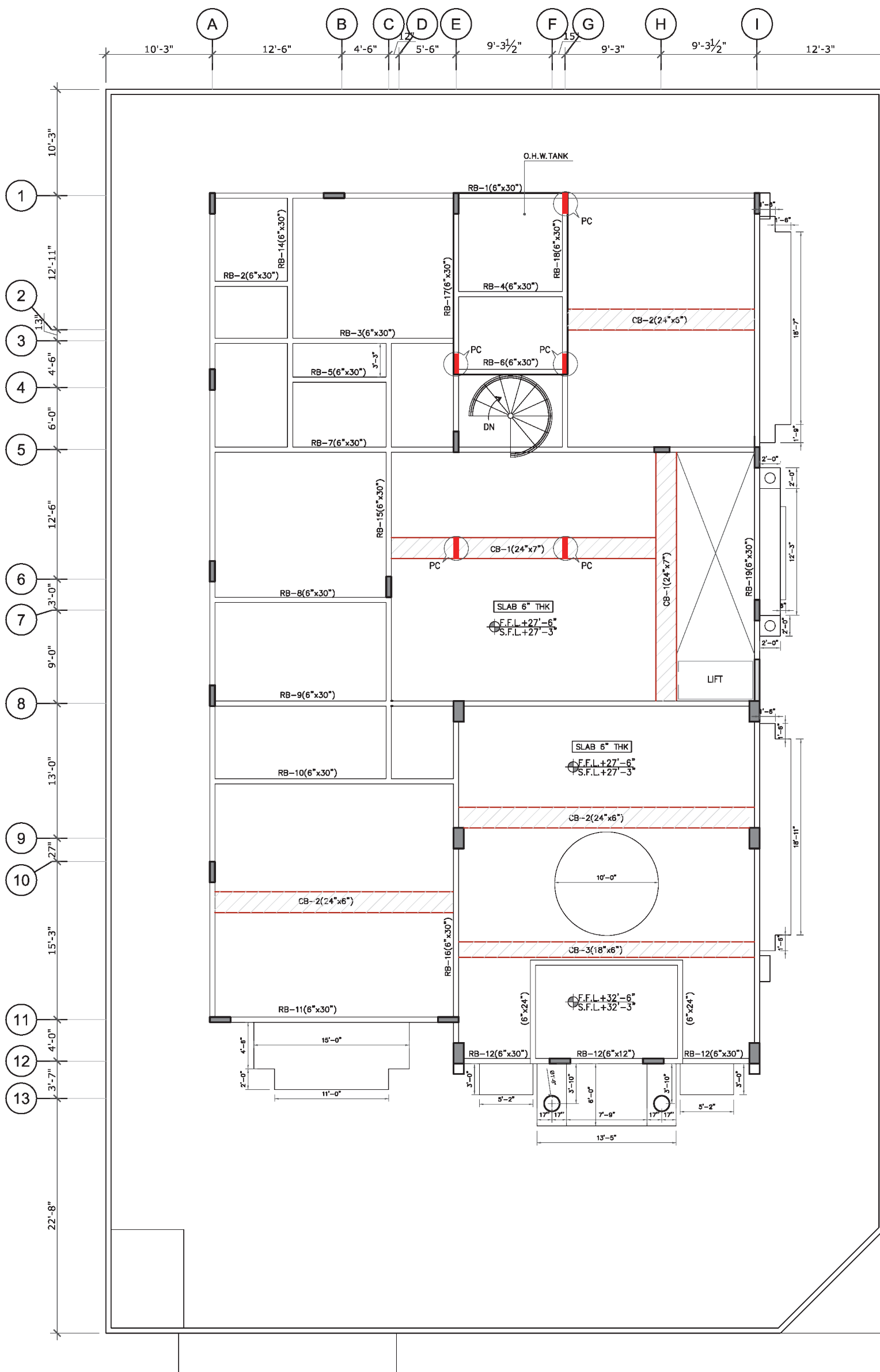


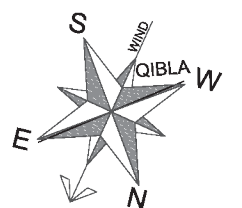
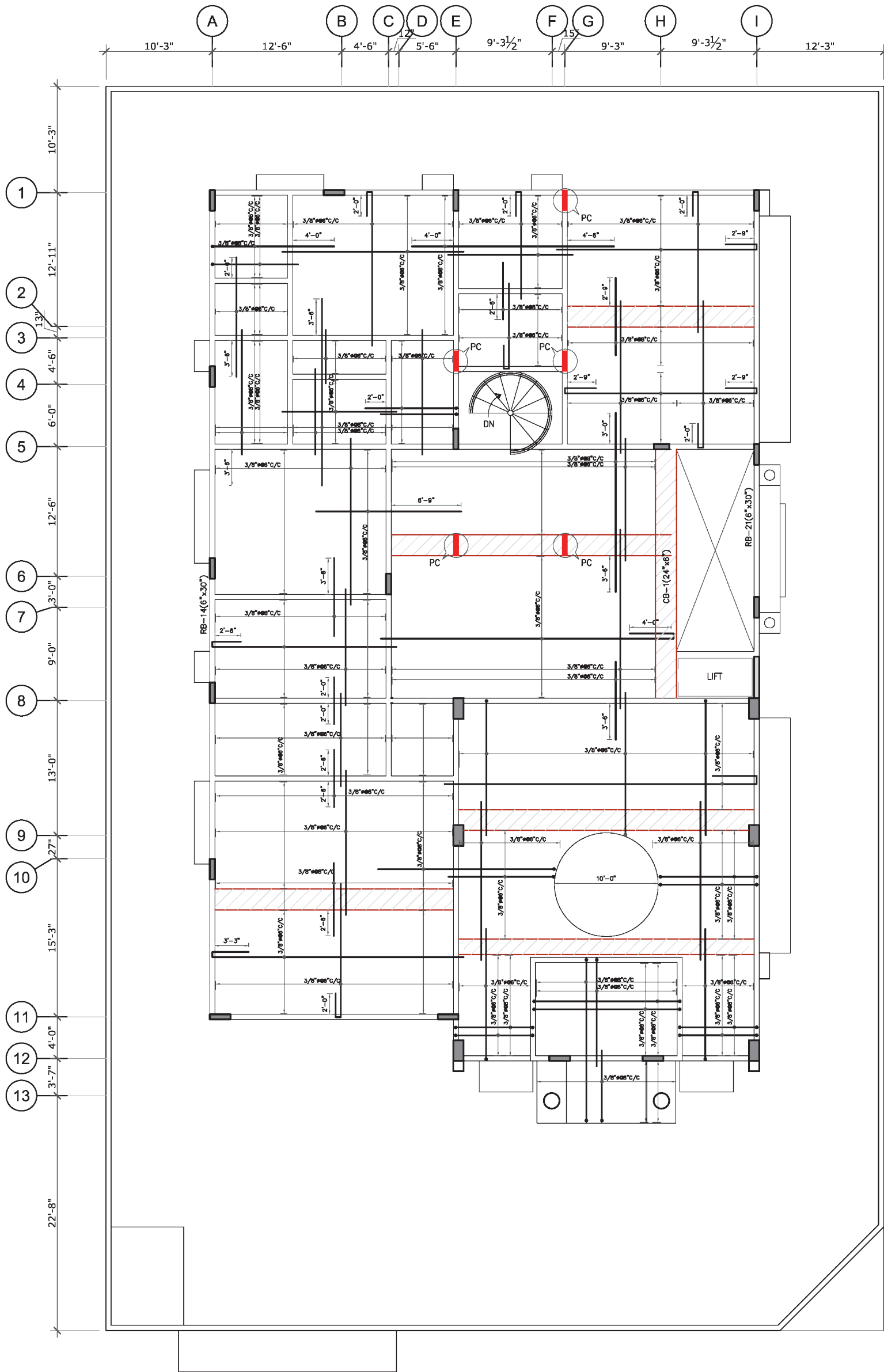


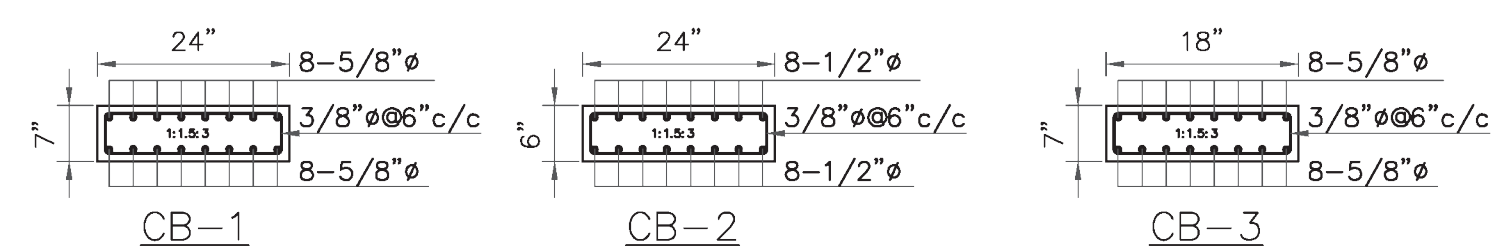
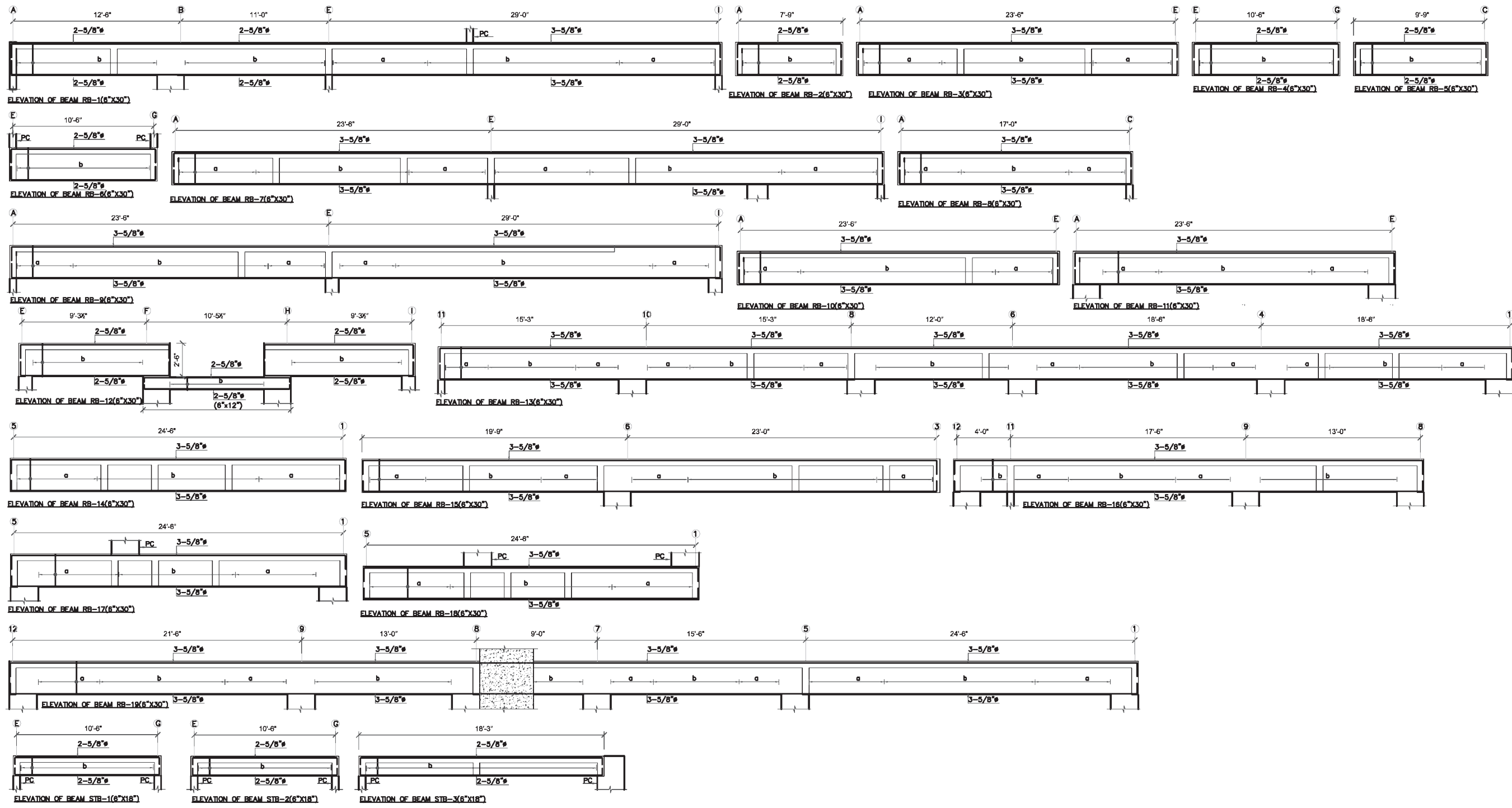




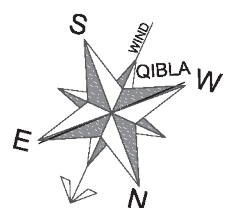
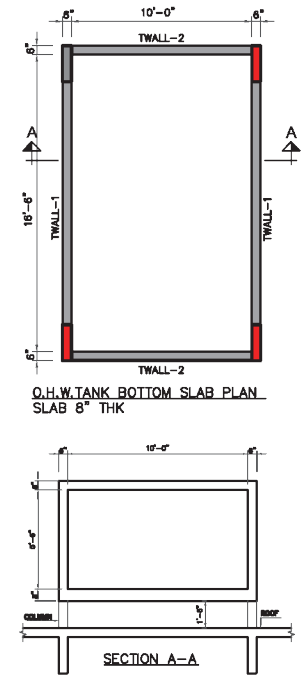
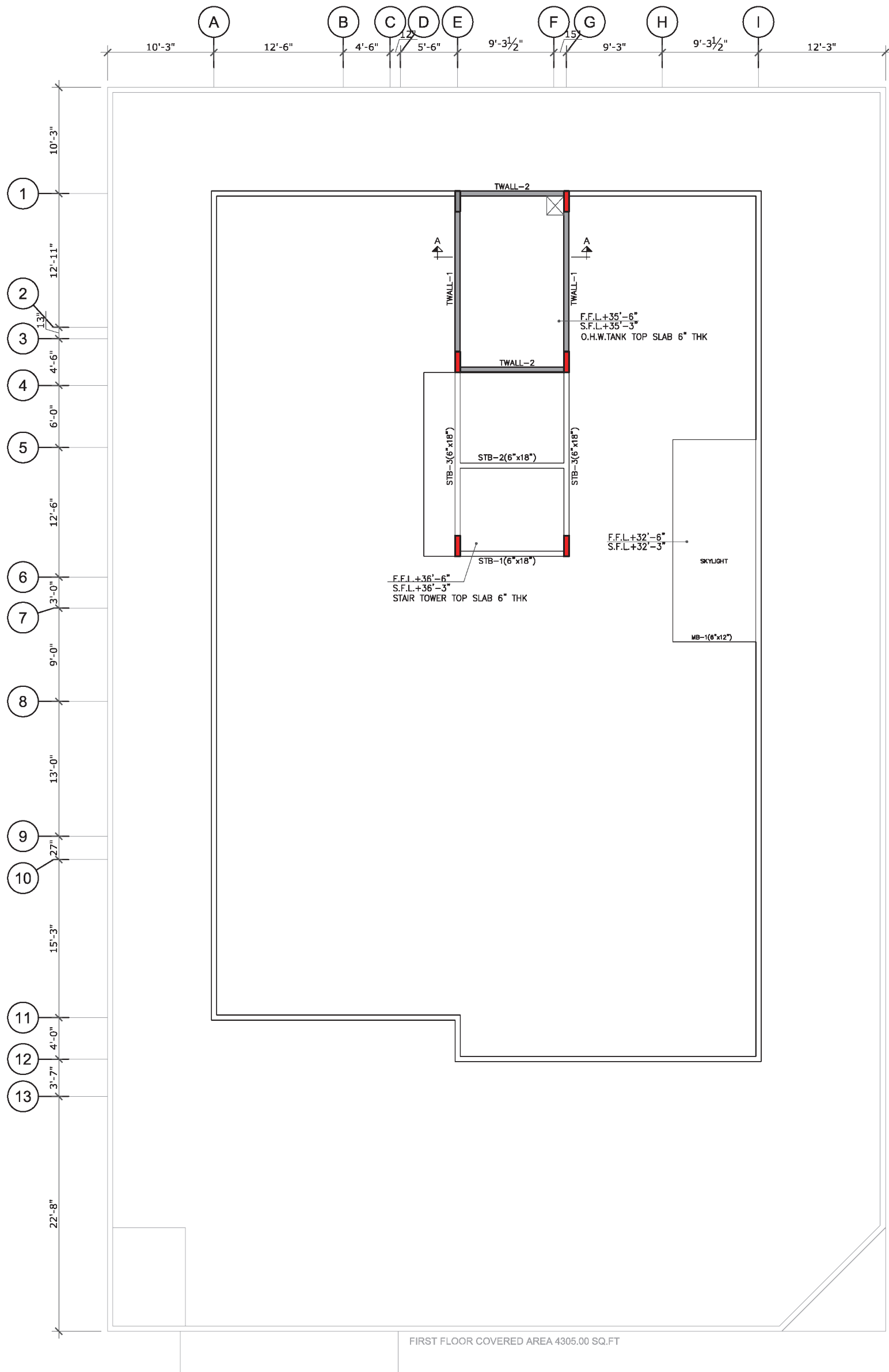
SCHEDULE OF STEEL	
TYPE	SIZES
a	3/8" ϕ @ 6" c/c
b	3/8" ϕ @ 6" c/c

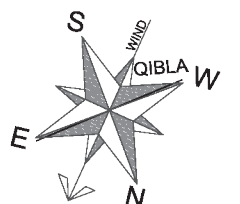
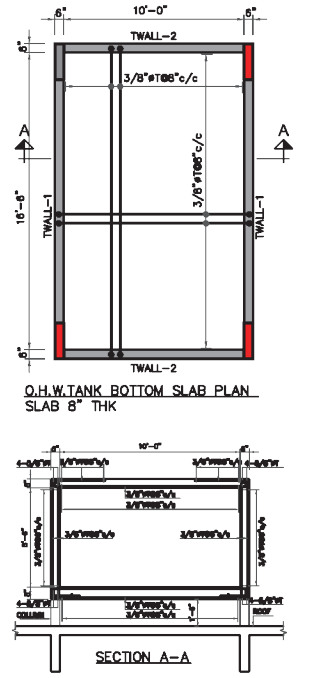
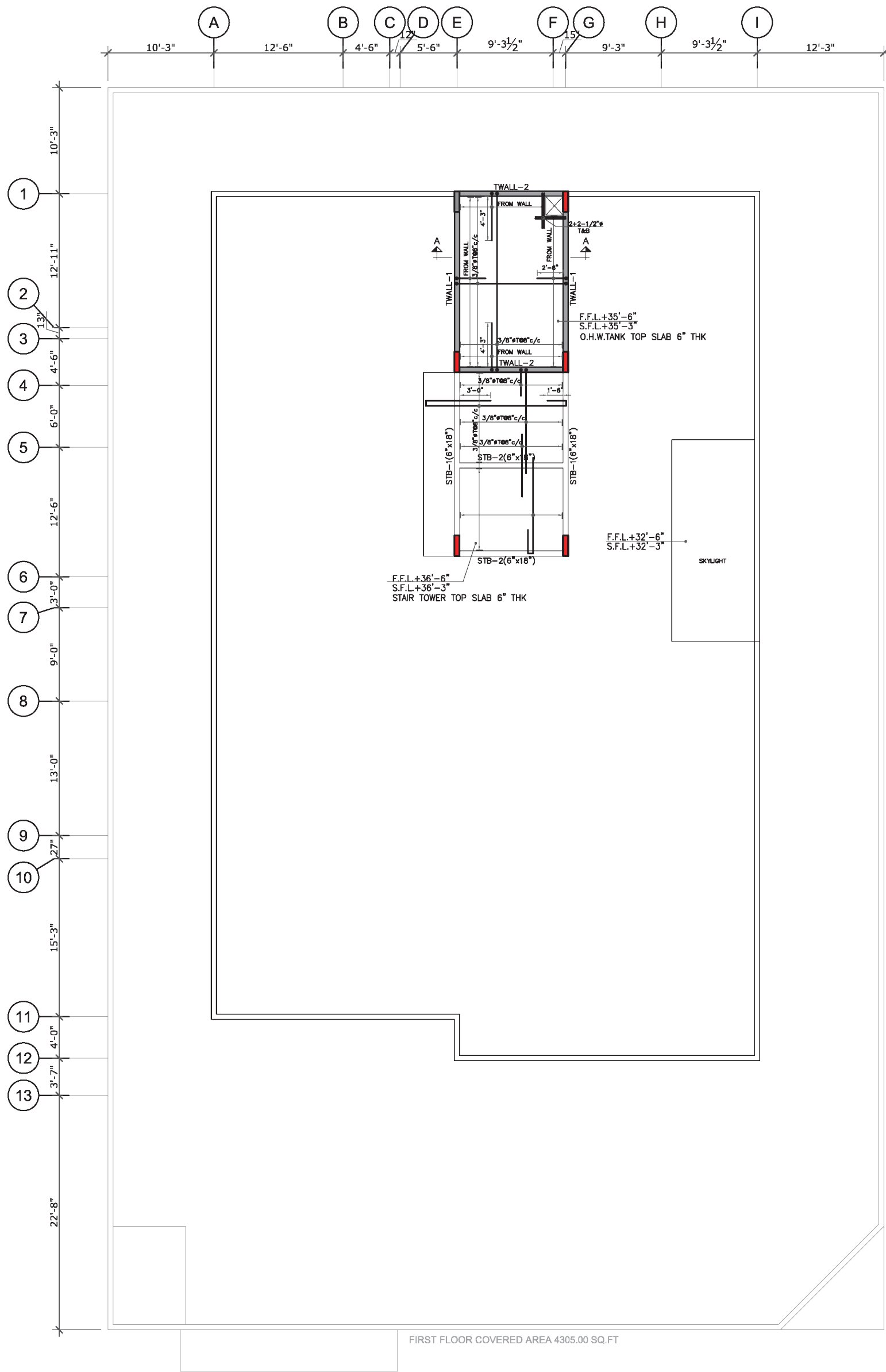


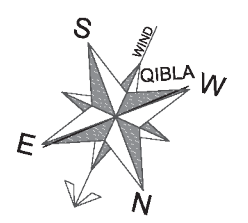
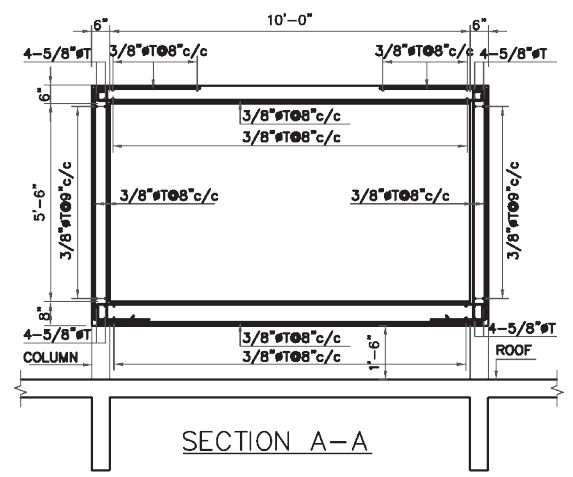
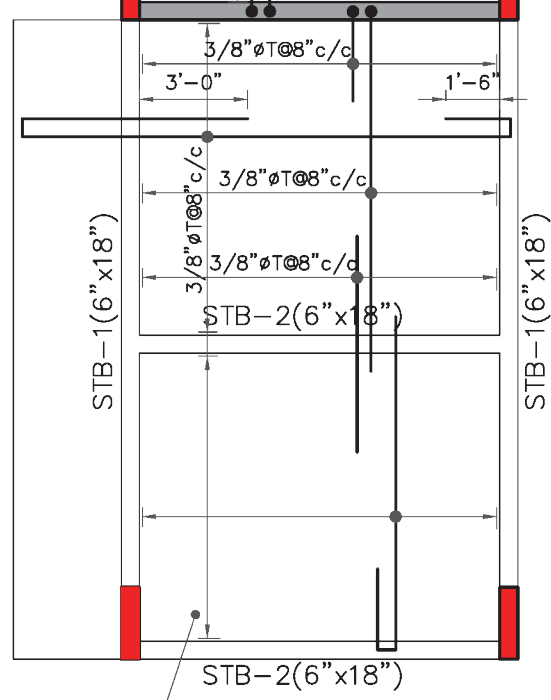
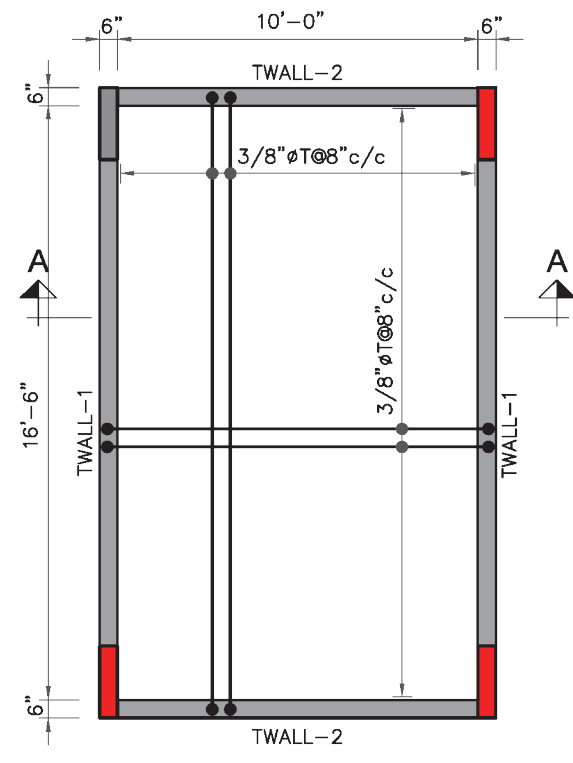
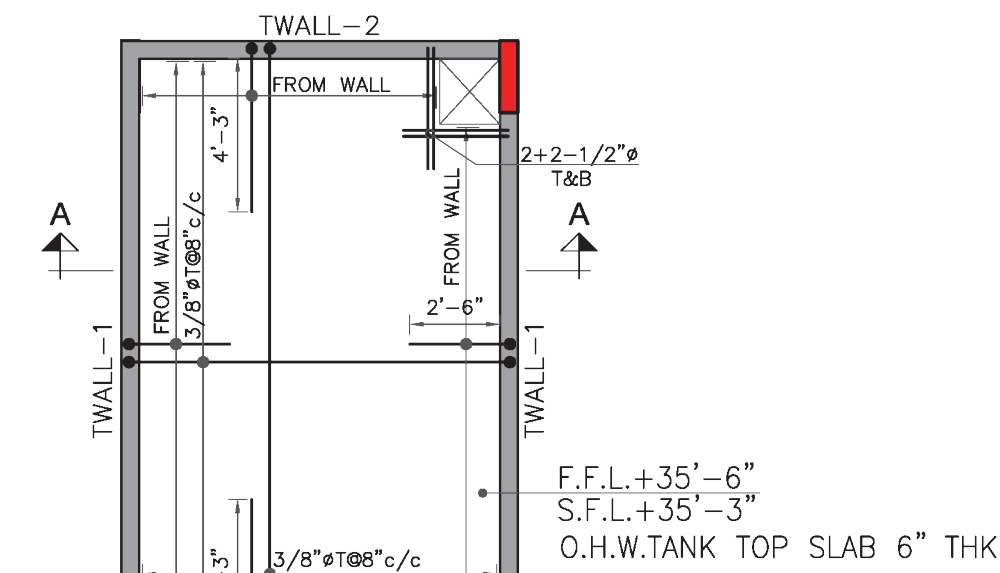


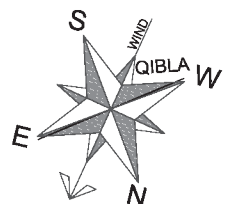
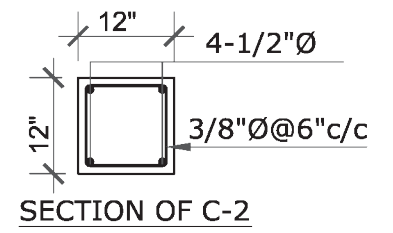
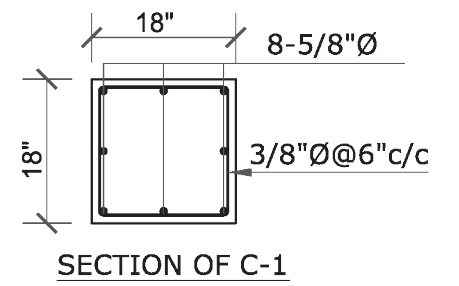
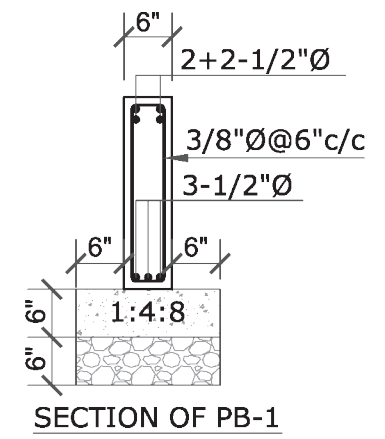
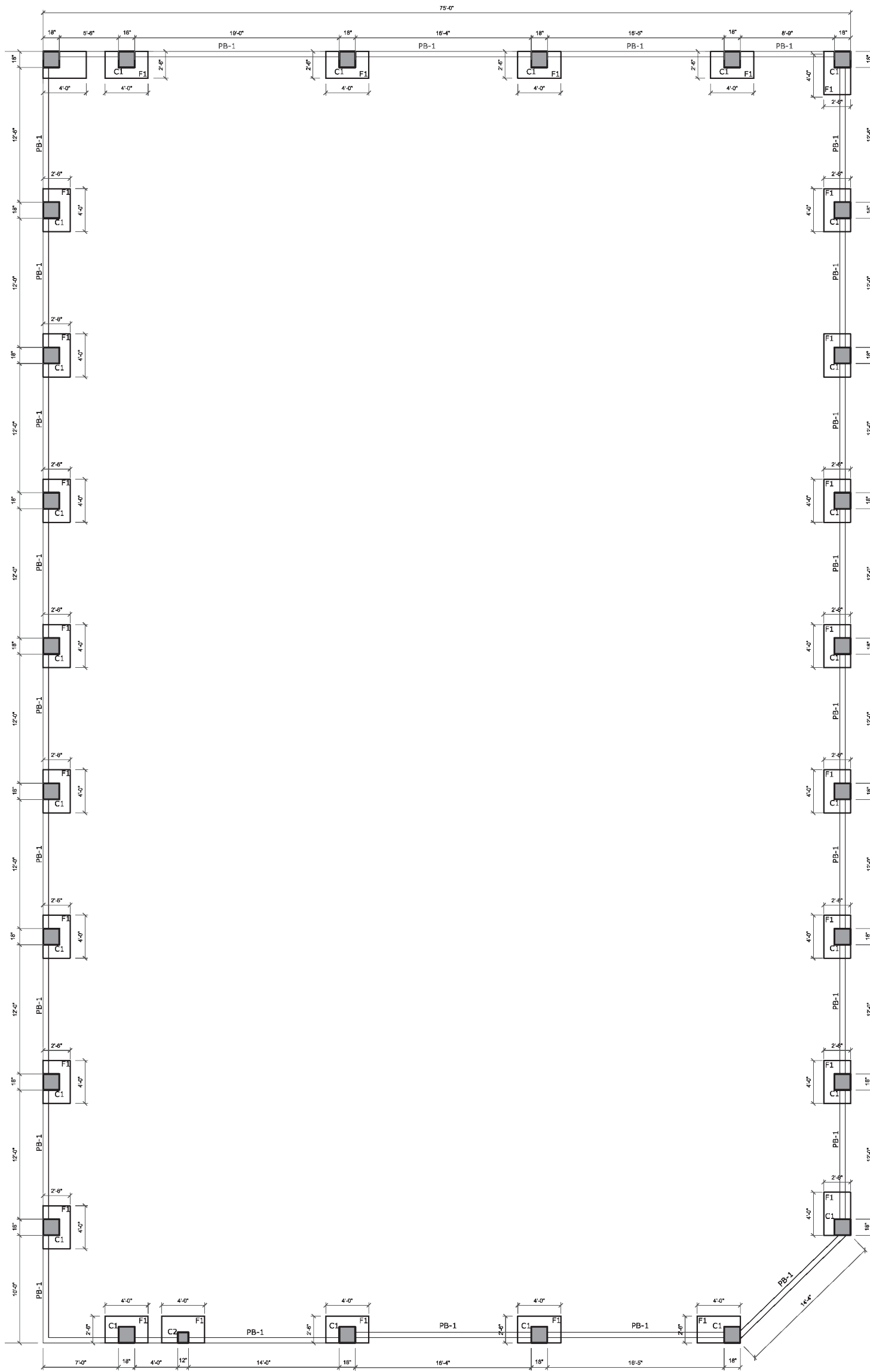


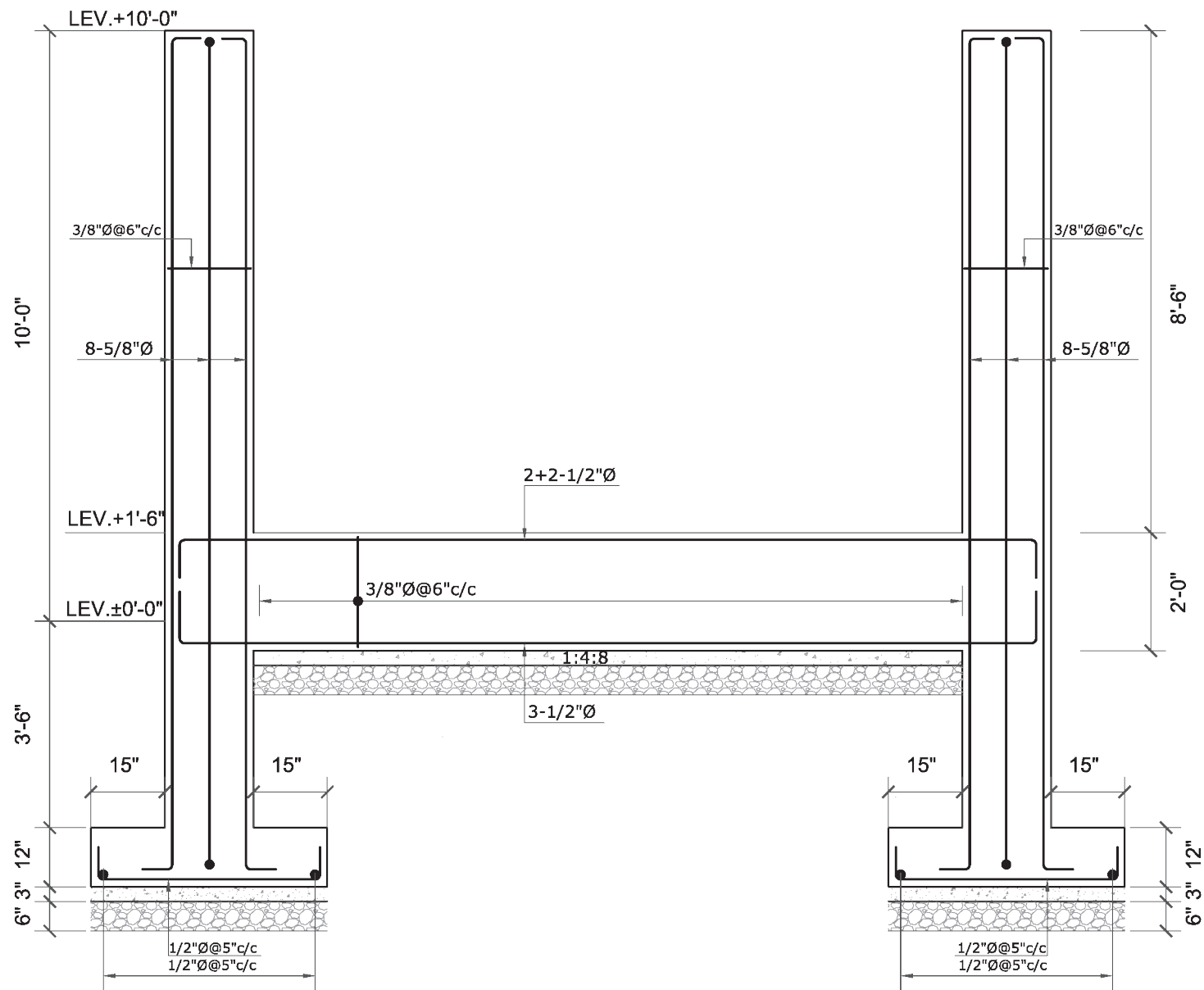
SCHEDULE OF STEEL	
TYPE	SIZES
a	3/8" ϕ @ 6" c/c
b	3/8" ϕ @ 8" c/c



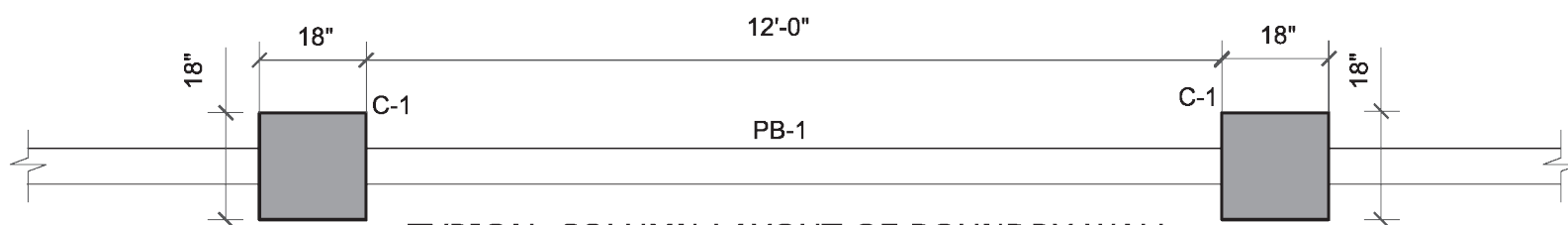




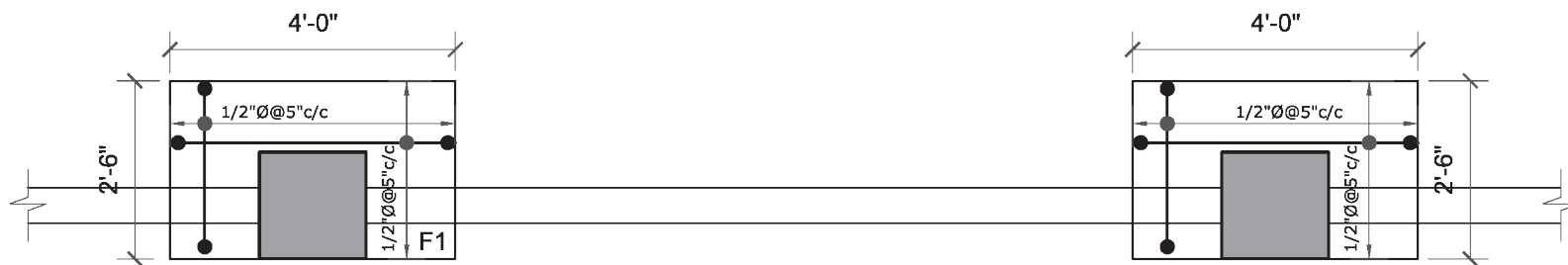




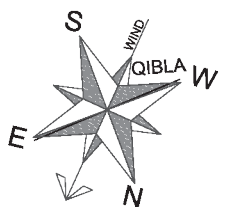
TYPICAL ELEVATION OF BOUNDRY WALL
(REAR & FRONT, LEFT & RIGHT SIDE)



TYPICAL COLUMN LAYOUT OF BOUNDRY WALL
(REAR & FRONT, LEFT & RIGHT SIDE)



TYPICAL FOOTING LAYOUT OF BOUNDRY WALL
(REAR & FRONT, LEFT & RIGHT SIDE)



SCHEDULE OF STEEL

a	3/8"Ø@6"c/c
b	3/8"Ø@8"c/c

